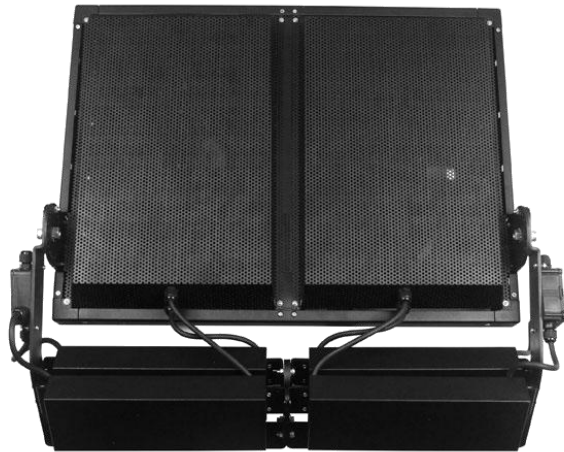


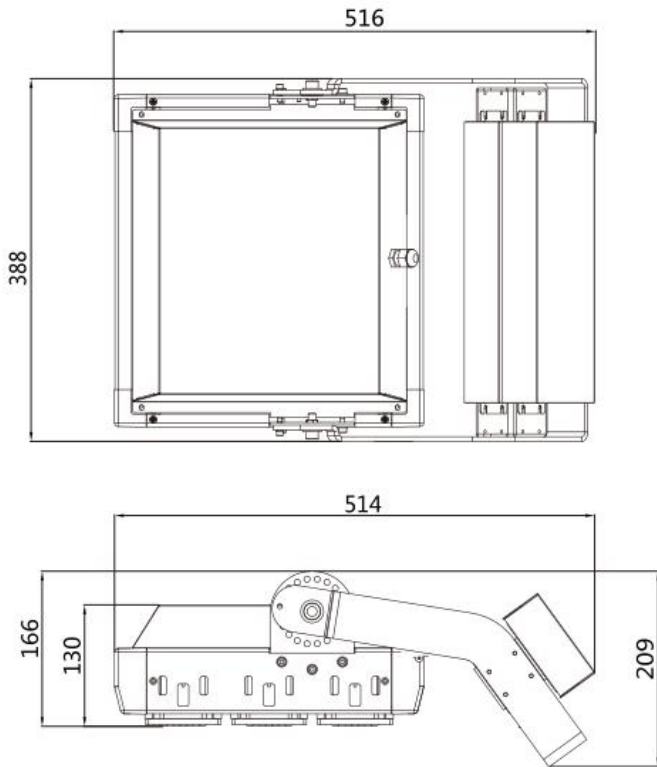
Sport Stadium Led Flood Light Specification

1.1) Products Images and Size

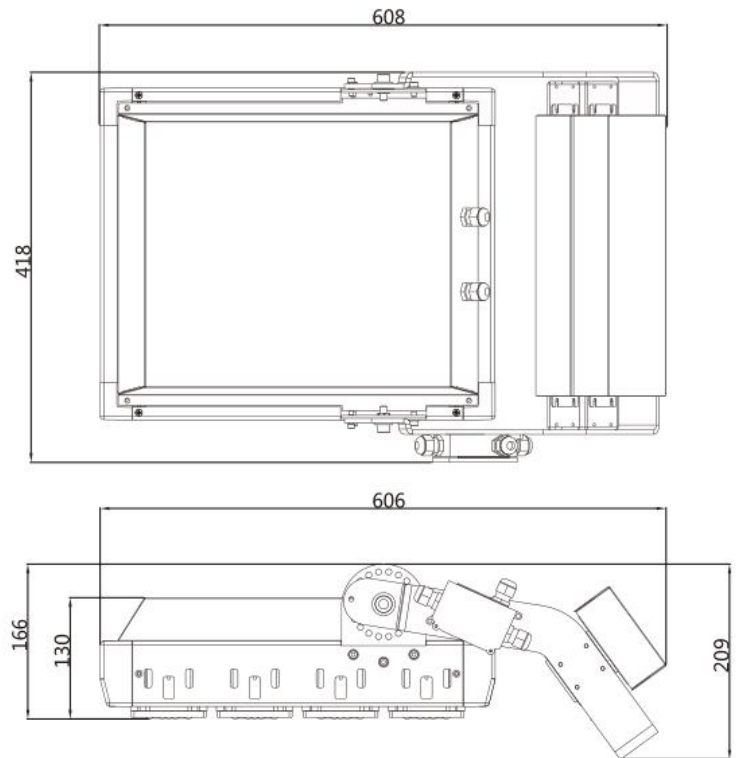


1.2) Dimensions (mm)

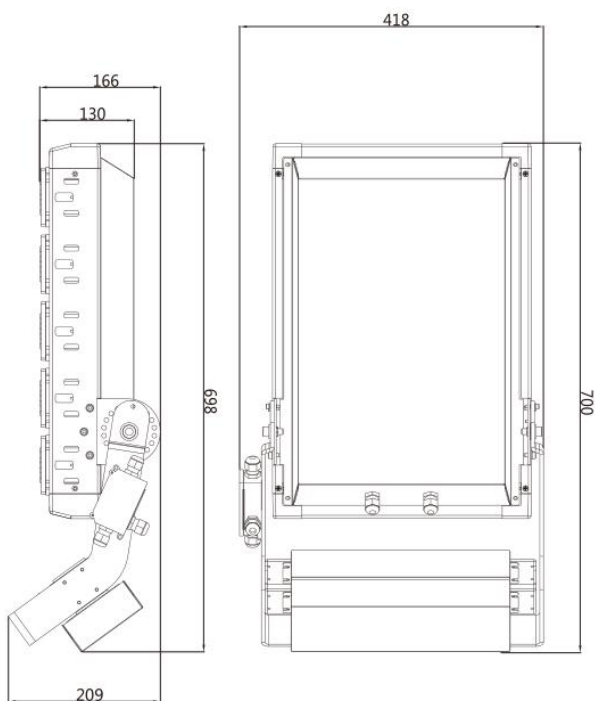
300W



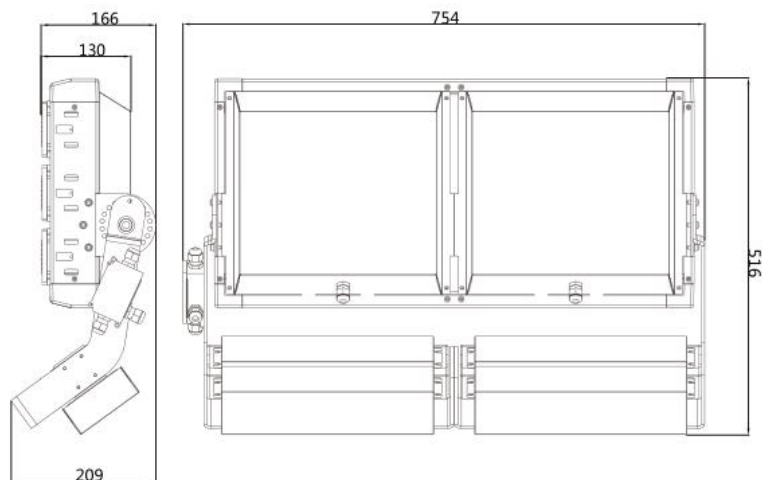
400W



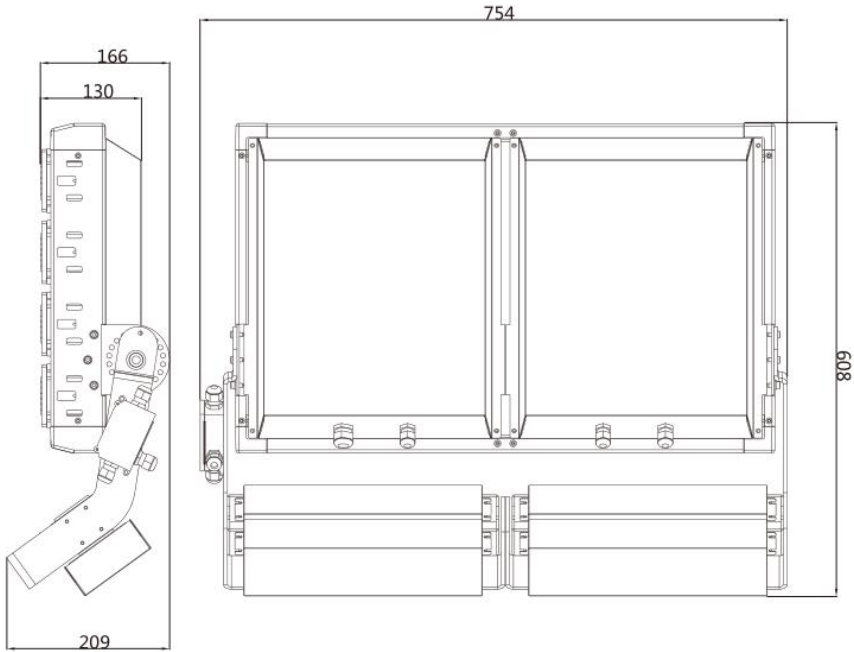
500W



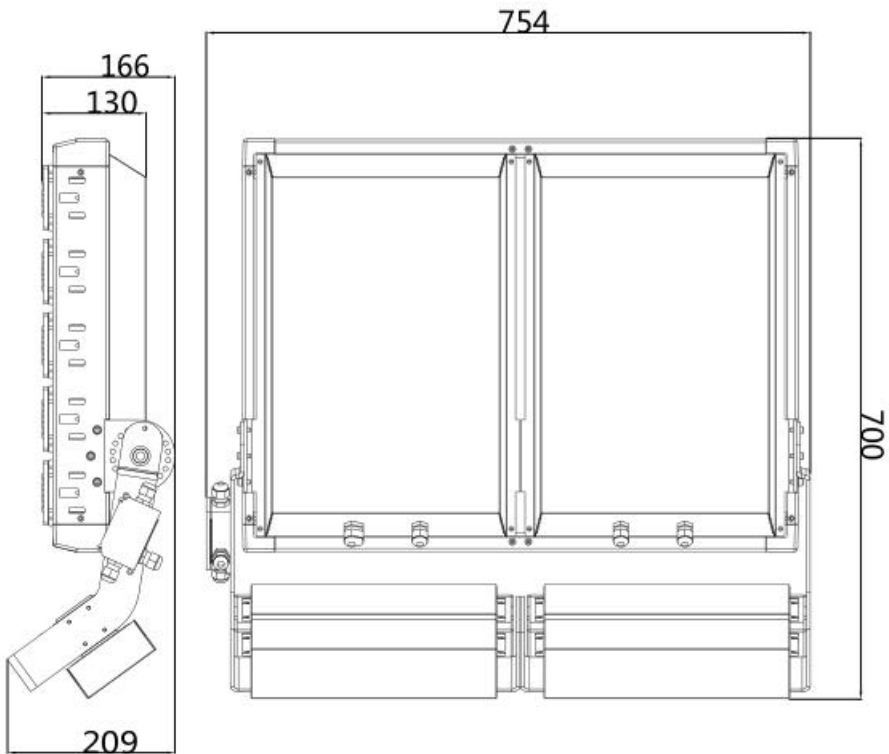
600W



800W



1000w



2.1) Features

2.1.1) Adopt unique modular cooling structure to solve the problems of the traditional integration type heat dissipation structure. This unique structure also ensures the reliability of the LEDs.

2.1.2) Practice "ultrashort heat conduction path" concept, by reducing unnecessary intermediate medium, with high quality and low thermal resistance materials, to simplify heat conduction path from the LED chip to the heat dissipation shell greatly, to make the thermal resistance of the whole lamp reduced greatly, to conduct the thermal more smoothly.

2.1.3) The unique light distribution design. Adopt free surface lens to realize accurate light distribution. The light distribution curve was designed targeted optimization according to the practical road conditions.

2.1.4) The unique secondary light distribution and direct reflect mixture design, no light pollution, no Lens Flare, No RF interference, Light transmittance as high as 98%.

2.1.5) Use Philips 5050 2D LED source is adopted, saving 80% energy than the incandescent light, high reliability, life span more than 50,000 hours.

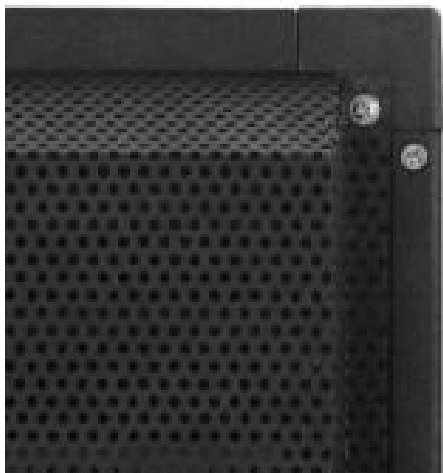
2.1.6) No pollution to grid. Power factor can be 0.90 or higher, harmonic distortion can be 10% or less, EMI conforms to the global index, so as to reduce the electric energy loss of the power supply circuit and avoid the high frequency interference pollution to power grid.

2.1.7) With light and thin appearance. LED street lamps with high-power can reduce wind drag and weight effectively, lighten the load to the lamp pole, enhance the safety factor.

2.2) Application places

Widely used in all kinds of road lighting: expressway, Trunk Road and Welcome Road, main roads to government agencies and large public buildings, road of downtown and Business center secondary main road, branch, residential roads, and sidewalk, also can be used in general building, square, goods football yard, and scenic spot. Can be installed on the lamp-post of 10m-12m.





Using high quality 1070 Aluminum material radiator,
good heat cooling function.

Tunnel light and the spot light combine appearance design.
Lighting performance improve 20%.



Bracket adjustable angle 180°



High transmittance PC lens with uniform light output,
Light transmittance >92%

3) Technology Data

Description Parameters

Input Voltage:	AC 100~277V	Frequency (Hz):	50/60 Hz
Led Type:	Philips 5050	IP Protection:	IP66
Power Factor (PF):	≥0.95	Power Efficiency:	>90
Color Index (CRI):	Ra>80	Color Temperature:	3000K, 4000k, 5000K, 6000K
Operating Temperature:	(-20 ~ +45) °C	THD:	<10%
Led Lifespan:	60,000 hours	Material Housing:	Aluminum alloy + PC +SPCC
Beam:	10° / 45° / 60° / 90° / 55×140°		
Certificates:	CE Rohs		

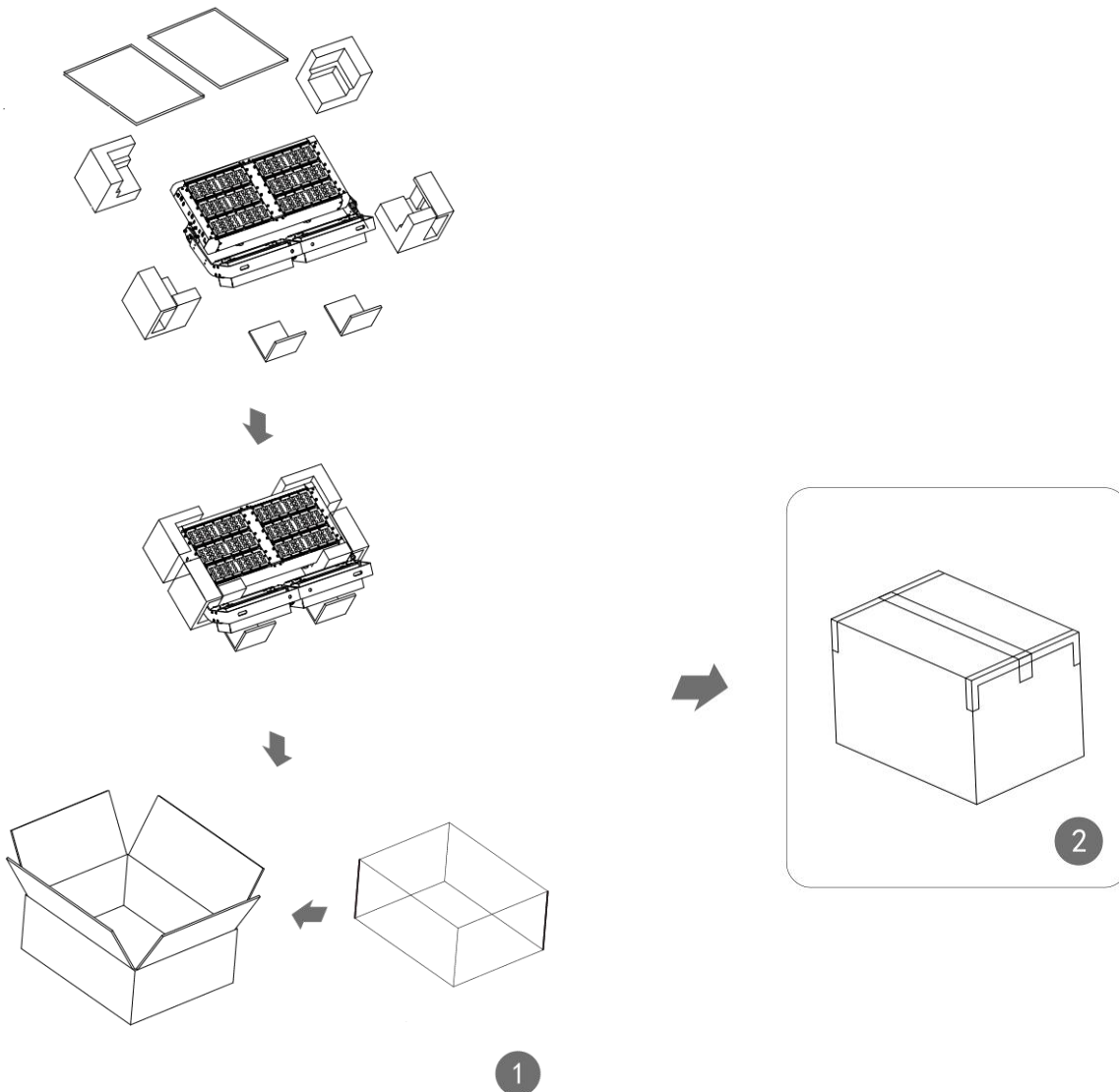
Technical Specification

Model	Power	LED Qtys	Lumens	Warranty
MS-HFL300W-M03	300W	132 PCS	130LM/W	5 years
MS-HFL400W-M04	400W	176 PCS	130LM/W	5 years
MS-HFL500W-M05	500W	220 PCS	130LM/W	5 years
MS-HFL600W-M06	600W	264 PCS	130LM/W	5 years
MS-HFL800W-M08	800W	352 PCS	130LM/W	5 years
MS-HFL1000W-M10	1000W	440 PCS	130LM/W	5 years

4) Package

Model	Package Qty	GW	Carton Size
MS-HFL300W-M03	1PCS	12.8Kg	600×480×230mm
MS-HFL400W-M04	1PCS	16.0Kg	690×480×230mm
MS-HFL500W-M05	1PCS	18.2Kg	780×480×230mm
MS-HFL600W-M06	1PCS	21.3Kg	815×600×230mm
MS-HFL800W-M08	1PCS	26.4Kg	815×690×230mm
MS-HFL1000W-M10	1PCS	31.2Kg	815×780×230mm

Packing Demonstration:



5) Installation Instructions

5.1) Attention

- 5.1.1) Be sure disconnect power before installing, don't install or maintaining with electricity.
- 5.1.2) Product working voltage is AC100~277V,50/60Hz, Please do not exceed the working voltage range.
- 5.1.3) Connection wire brown is "L", blue is "N", yellow-green is GND.
- 5.1.4) Be sure wiring is closed and prevent leakage, when installing.
- 5.1.5) The lamp can not be used in violation of any fire regulations

