

## L Series Led Flood Light Specification

100W

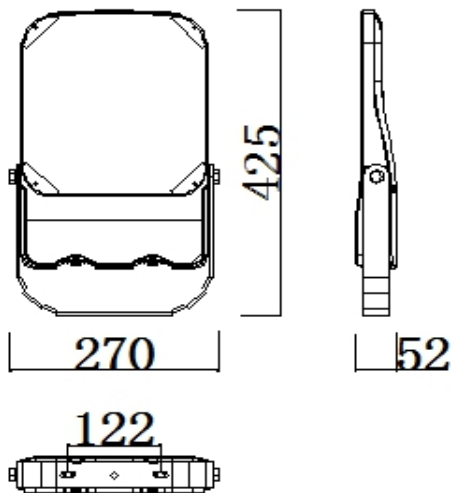


### Application areas

- LED flood lights mainly apply to outdoor advertising,
- landscapes, exterior wall lighting and etc.



### Product size



### Technical data

Item No	Power	LED Source	LED Qty	Input Vol	Power Factor
MS-FL100WZ-L02	100W	Philips 3030 LED	144 PCS	AC100-277V	≥0.9

Beam angle	CCT	CRI	Material	Lumen	Certificate	IP	Warranty
15/30/60/60/120° /T2/T3	3000~6000K	75	Aluminium	140~150lm/W	CE ROHS	IP66	5 years

**150W**

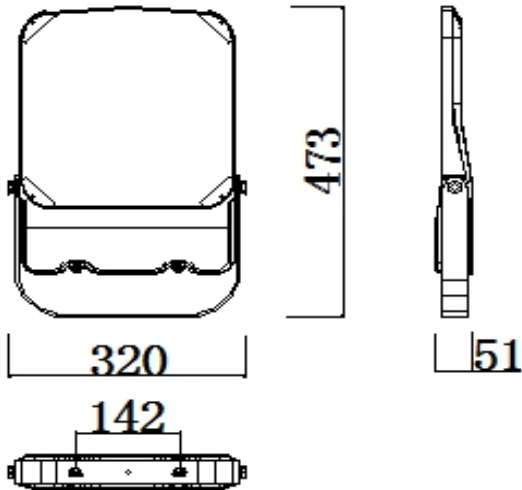


**Application areas**

- LED flood lights mainly apply to outdoor advertising,
- landscapes, exterior wall lighting and etc.



**Product size**



**Technical data**

Item No	Power	LED Source	LED Qty	Input Vol	Power Factor
MS-FL150WZ-L03	150W	Philips 3030 LED	256 PCS	AC100-277V	≥0.9

Beam angle	CCT	CRI	Material	Lumen	Certificate	IP	Warranty
15/30/60/60/120° /T2/T3	3000~6000K	75	Aluminium	140~150lm/W	CE ROHS	IP66	5 years

200W

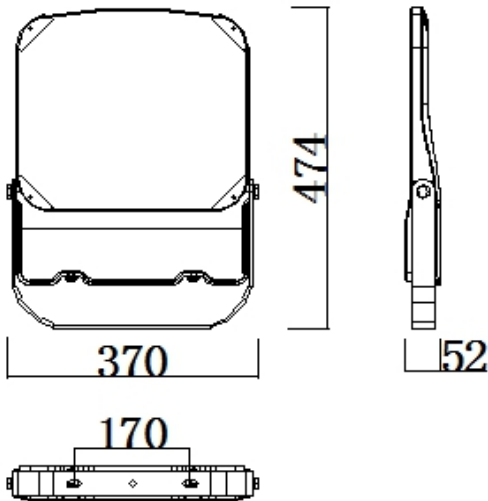


### Application areas

- LED flood lights mainly apply to outdoor advertising,
- landscapes, exterior wall lighting and etc.



### Product size

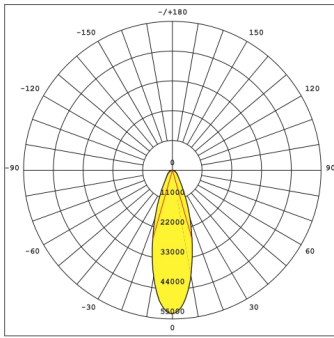


### Technical data

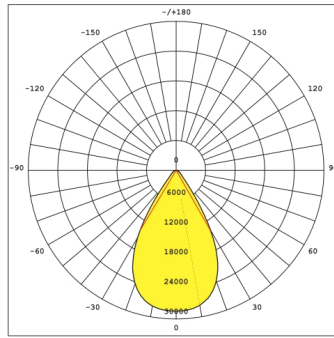
Item No	Power	LED Source	LED Qty	Input Vol	Power Factor
MS-FL200WZ-L034	200W	Philips 3030 LED	320 PCS	AC100-277V	≥0.9

Beam angle	CCT	CRI	Material	Lumen	Certificate	IP	Warranty
15/30/60/60/120° /T2/T3	3000~6000K	75	Aluminium	140~150lm/W	CE ROHS	IP66	5 years

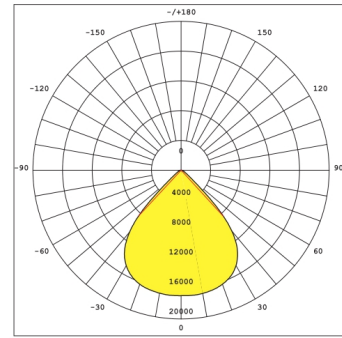
# Distribution Curve Flux



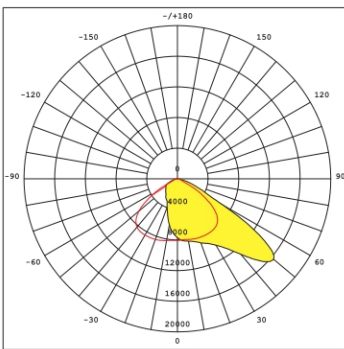
30°



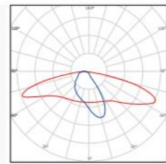
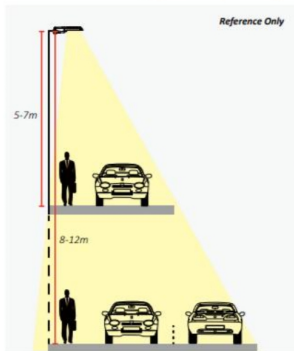
60°



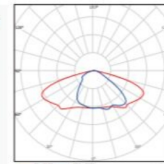
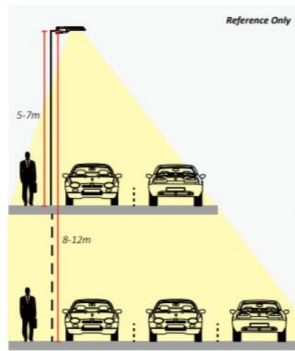
90°



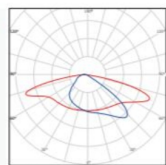
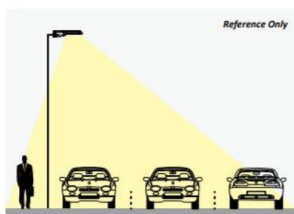
Asymmetrical



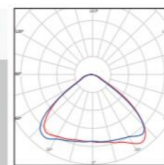
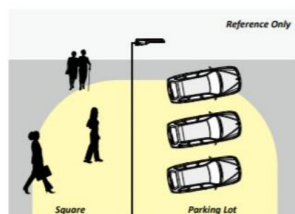
Lens code: TypeI,Medium



Lens code: TypeII,Medium



Lens code: TypeIII,Medium

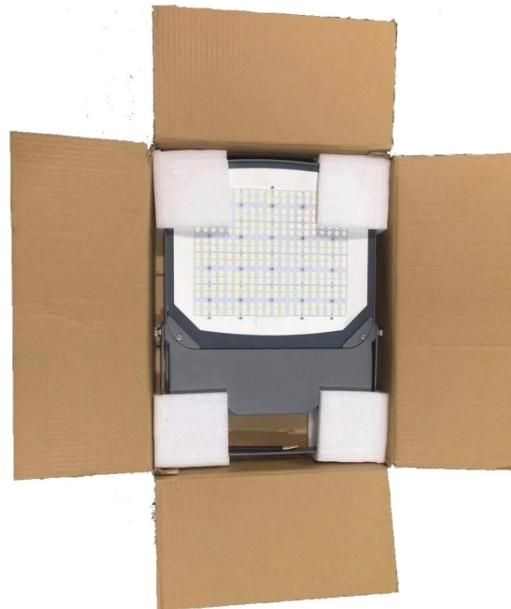


Lens code: TypeV,Short

Type I/II/III/V

**Package**

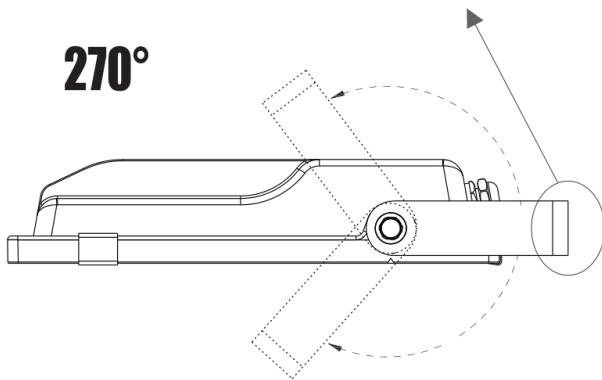
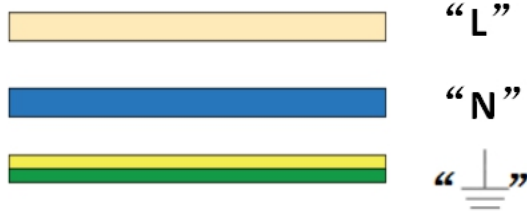
Item	MS-FL100WZ-L02	MS-FL150WZ-L03	MS-FL200WZ-L04
Package Qty	1 PCS	1 PCS	1 PCS
GW	5.5 KG	6.2 KG	6.8 KG
Carton Dimensions(mm)	460*290*120MM	510*340*120MM	510*390*120MM



## Installation Instructions

### Attention:

- 1) Be sure disconnect power before installing, don't construction with electricity.
- 2) Product working voltage is AC100~277V,50/60Hz, Please do not exceed the working voltage range.
- 3) Input product line, brown is **L**, blue is **N**, yellow-green is **GND**.
- 4) Be sure wiring is closed and prevent leakage, when installing.
- 5) The lamp can not be used in violation of any fire regulations.



LED Floodlight

