

R Series Led Street Light



- High-quality aluminum alloy, with integrated shell, high hardness, not easy to break, good heat dissipation, greatly improving service life.
- The lamp body is completely sealed and work in thunder and rain.
- High-quality high-brightness LED light source, high luminous efficiency, high color rendering, no radiation pollution, long service life.
- No EMI, low harmonic distortion (THD), through the CE, ROSS, FCC, SAA, RCM certification requirements.
- Working under the ambient temperature -30° to 55°

Overview



- LED Source: Lumileds 3030 LED
- Input Vol: AC100-277V
- SPD:10KV
- CRI: >75Ra
- IP Rate: IP66
- Warranty: 5 years
- Beam angle: Type 2 / Type 3



PMMA Lens:

PC+Glasses



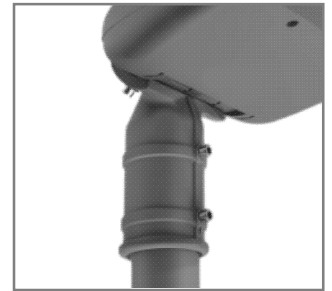
Drainage hole design:

Drain, vent and release internal temperatures.



Lamp body:

Air convection design for good heat dissipation and long service life.

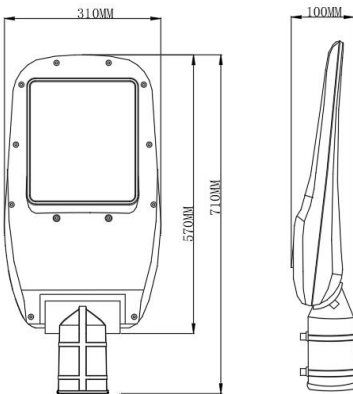
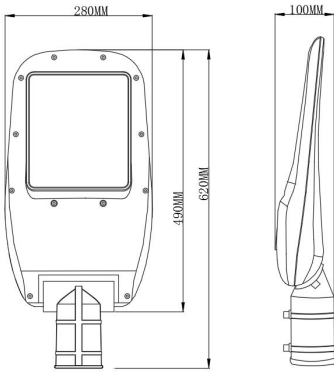
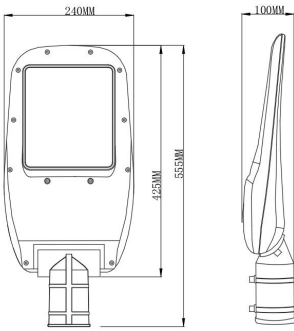
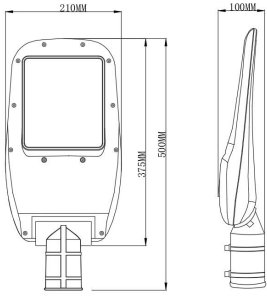


Mounting arm:

0-90° adjustable

Model	Housing Dimensions(mm)	Housing Net weight	Suitable for Wattage
MS-ZCLD50W-R01	500*210*100	2.3KGS	30w,40w,50w,60w
MS-ZCLD100W-R02	555*240*100	2.9KGS	75w,80w,100w
MS-ZCLD150W-R03	620*280*100	4.1KGS	120w,150w
MS-ZCLD200W-R04	710*310*100	5.6KGS	180w,240w


Production dimensions



Products Characteristics-1

Model:	MS-ZCLD50W-R01	MS-ZCLD100W-R02	MS-ZCLD150W-R03	MS-ZCLD200W-R04
Led Source:	Lumileds-3030LED	Lumileds-3030LED	Lumileds-3030LED	Lumileds-3030LED
Led Qty:	96pcs	144pcs	288pcs	480pcs
Working voltage:	AC100-277V	AC100-277V	AC100-277V	AC100-277V
Driver	Meanwell/Invenrtonics/Mosun	Meanwell/Invenrtonics/Mosun	Meanwell/Invenrtonics/Mosun	Meanwell/Invenrtonics/Mosun
Beam angle:	Type 2/3	Type 2/3	Type 2/3	Type 2/3
Lumen efficiency:	120-130lm/w	120-130lm/w	120-130lm/w	120-130lm/w
Power Factor:	>0.95	>0.95	>0.95	>0.95
Correlated Color Temperature:	3000K-6500K	3000K-6500K	3000K-6500K	3000K-6500K
Color rendering index:	≥70	≥70	≥70	≥70
IP Rating:	IP65	IP65	IP65	IP65
Material	Aluminum Alloy	Aluminum Alloy	Aluminum Alloy	Aluminum Alloy
Weight:	2.3kgs	2.9kgs	4.1kgs	5.6kgs
Warranty	5 years	5 years	5 years	5 years

Products Electrical Parameters

				Nominal flux (lm) (*)	Power consumption (W)	Nominal efficacy (lm/W)	Luminaire output flu(lm)	Luminaire efficacy (lm/W)	Photometry
Lamp	3030 LEDs	Current (mA)	Line Current (A)	(A) Typical	Typical	Typical	Typical	Typical	KingBrite T3
MS-ZCLD50W-R01	96	930	0.23	7800	50W	156	6400	128	KingBrite T3
MS-ZCLD100W-R02	144	1870	0.46	15800	100W	158	13000	130	
MS-ZCLD150W-R03	288	2810	0.68	23850	150W	159	19650	131	
MS-ZCLD200W-R04	480	3750	0.91	31000	200W	155	25400	127	

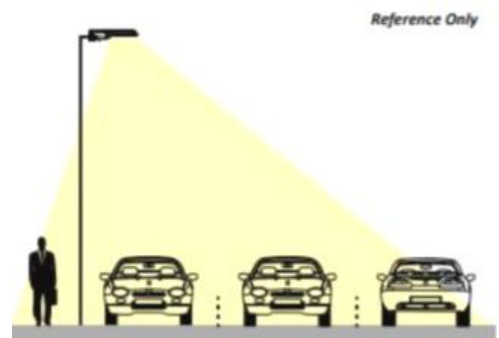
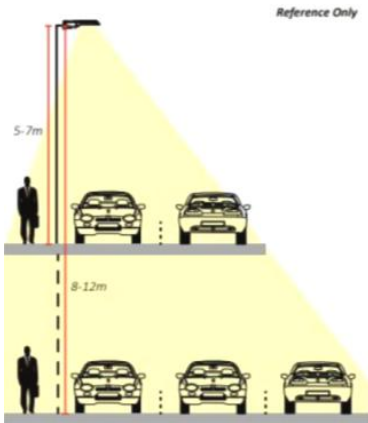
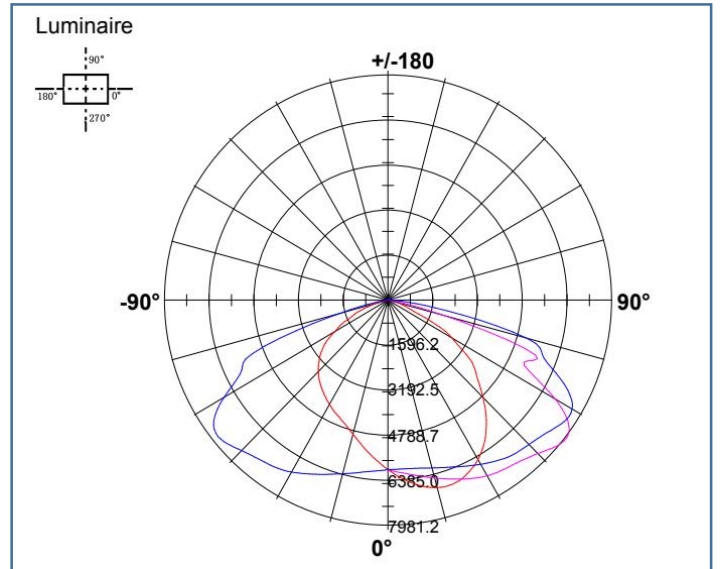
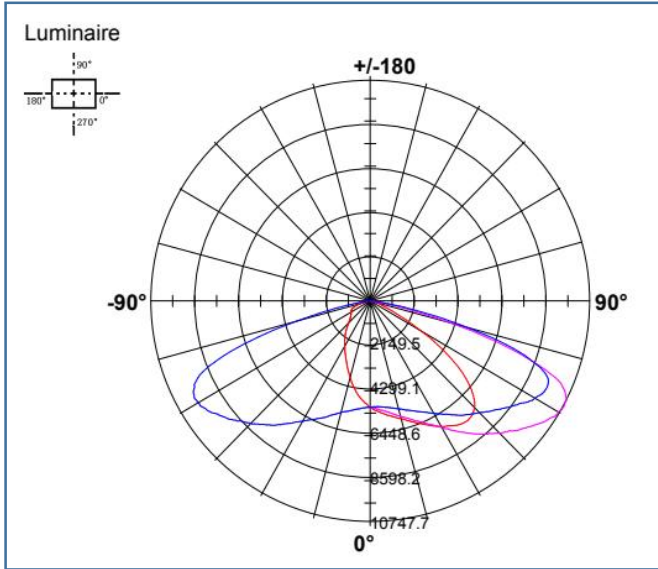
Tolerance on LED flux is $\pm 7\%$ and on total luminaire power $\pm 5\%$

(*) The nominal flux is an indicative LED flux @ $T_s 85^\circ \text{C}$ based on LED manufacturer's data. The real flux output of the luminaire depends on environmental conditions (e.g. temperature and pollution) and the optical efficiency of luminaire. The type of LED used is subject to change due to the ongoing rapid progress taking place in LED technology

Photometric distribution

Type II

Type III



PEDESTRIAN AREAS

Streets, paths and bike paths



STREETS

Residential streets



Shared zones, commercial streets in urban areas



ROADS

Rural roads



Urban roads



Motorways and ring roads



Intelligent Dimming Control

The dimming photo controller JL-241/242/243 series is applicable to control any independent LED home/street lighting automatically in accordance with the ambient natural lighting level. This product is designed with microprocessor circuits with IR-filtered silicone sensor, a heavy duty surge arrester (MOV) is provided to protect the lamp from inrush current as well as impulse by lightning. Further, a preset 10 seconds time-delay prevents excessive operation due to spotlight or lightning during the night time. A heavy duty relay supports the work life of over 15,000 cycles, and offers extra long work life when an optional metal Armor is applied together. This product provides twist lock terminals and signal contacts meeting the requirements of ANSI C136.41-2013, as well as being listed by UL under the Standard for Plug-In, Locking Type Photo controls for Use with Area Lighting ANSI/UL773.



Constant On/Off Dimming Standard program for LED output keeping the field lit with constant lighting level, in accordance with the natural sunlight level detected. When the natural lighting is higher than 110% of the rated level, live line will be disconnected to keep LED fixture as zero consumption. Available with JL-241C, JL-242C and JL-243C.

Items	Function (0~10V dimming)	Items	Function (DAU dimming)
JL-241C	Constant illumination (Bright in the evening, off in the morning)	JL-251C	Constant illumination (Bright in the evening, off in the morning)
JL-242C	Constant illumination, Midnight low brightness	JL-252C	Constant illumination, Midnight low brightness
JL-243C	Constant illumination, Midnight low brightness, Optical decay compensation	JL-253C	Constant illumination, Midnight low brightness, Optical decay compensation
JL-244C	Constant illumination, Midnight low brightness, Optical decay compensation, Mobile APP Control	JL-254C	Constant illumination, Midnight low brightness, Optical decay compensation, Mobile APP Control

Breathing valve Optional:



- Waterproof
- Air circulation
- Pressure balance

Driver brand optional:

- Turefull
- Meanwell
- Philips
- Inventronics

TUREFULL



INVENTRONICS
DRIVING THE LIGHTING REVOLUTION

SPD optional:

- SPD 10KV
- SPD 20KV

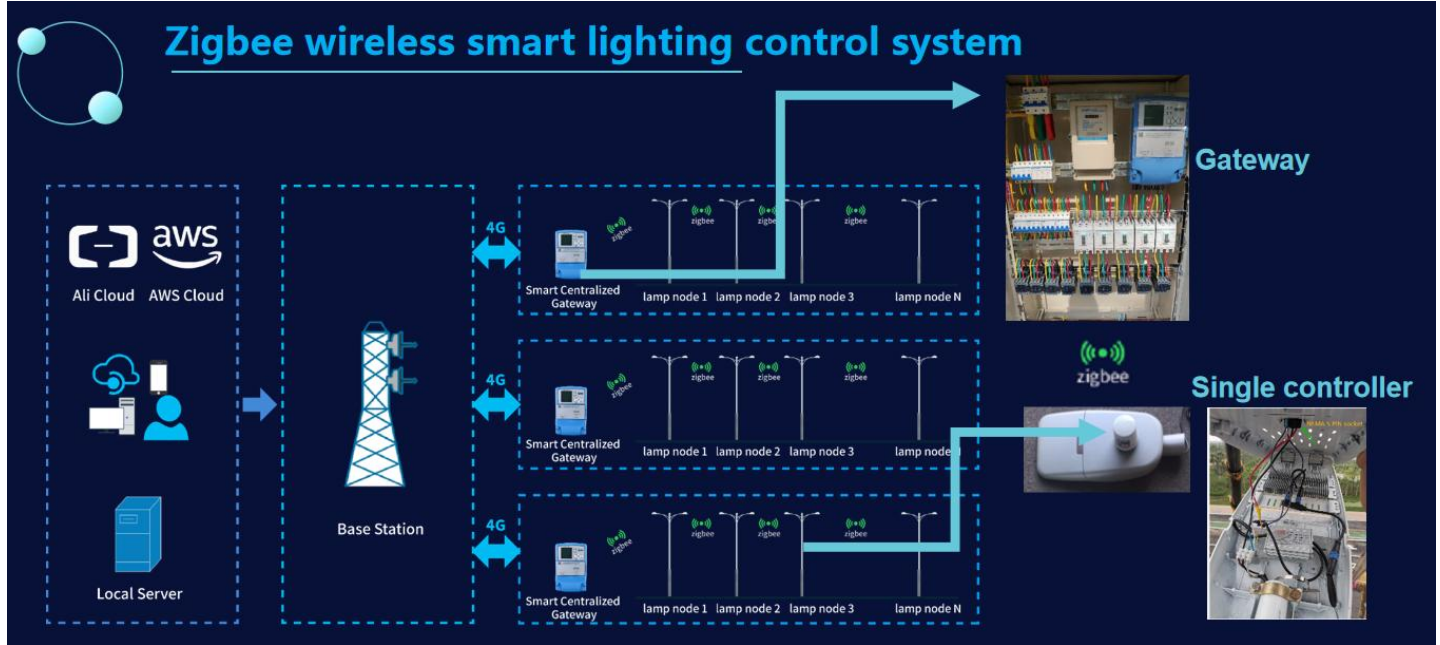


Features

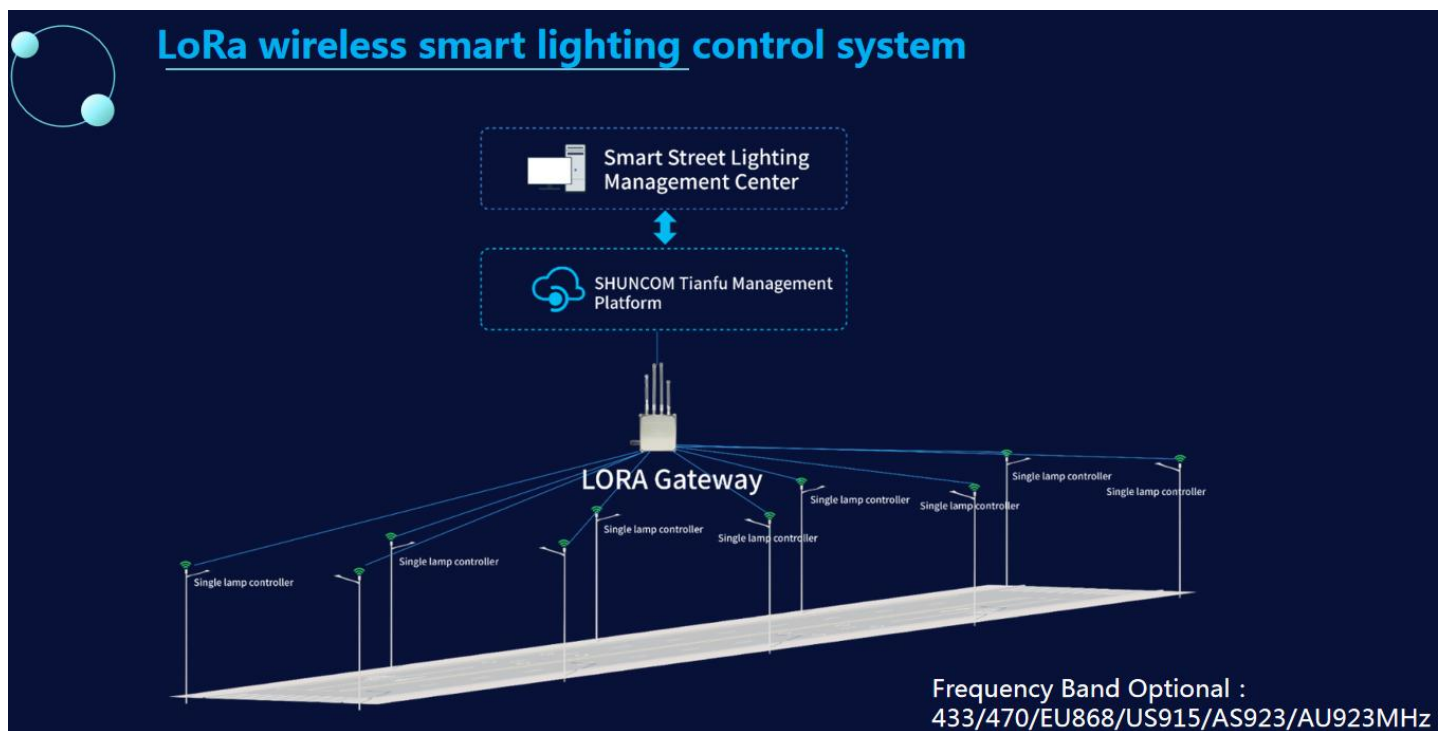
- ◆ Suitable for use in luminaire with Class I or Class II installations
- ◆ Protection mode : L-N, L-PE, N-PE
- ◆ Built-in thermal detachment function, higher security
- ◆ Parallel wiring, easy maintenance
- ◆ Excellent impact resistance, low voltage limit
- ◆ Built-in LED indication, saves maintenance time by identifying replacement need
- ◆ IP67-Dust-tight and water resistant

City Smart lighting Control system

Zigbee wireless system



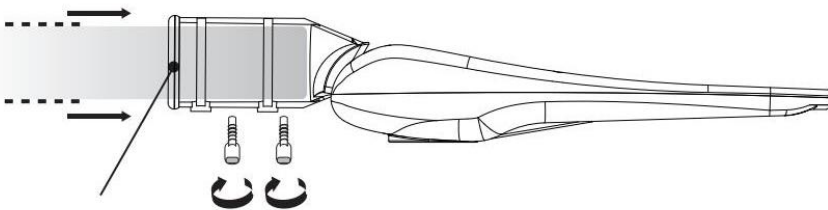
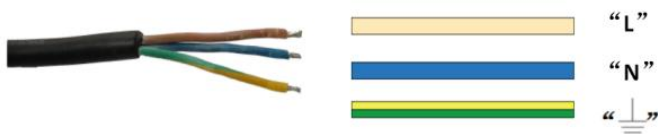
LoRa wireless system



Installation Instructions

Attention:

- 1) Be sure disconnect power before installing, don't construction with electricity.
- 2) Product working voltage is AC100~277V,50/60Hz, Please do not exceed the working voltage range.
- 3) Input product line, brown is **L**, blue is **N**, yellow-green is **GND**.
- 4) Be sure wiring is closed and prevent leakage, when installing.
- 5) The lamp can not be used in violation of any fire regulations.



Per palo \varnothing 60mm
For a 60mm diameter pole



Fissaggio a frusta
Pendant Mounting

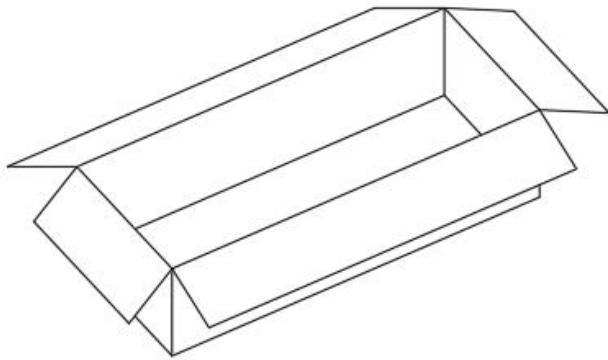
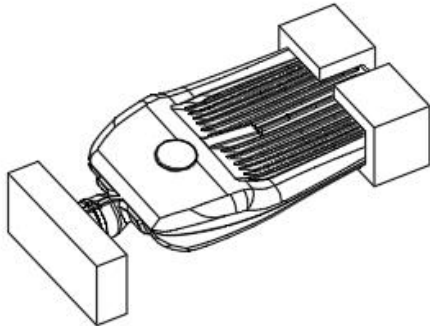


Fissaggio testapalo
Pole Head Mounting



Package

Item	MS-ZCLD50W-R01	MS-ZCLD100W-R02	MS-ZCLD150W-R03	MS-ZCLD200W-R04
Package Qty	1 PC	1 PC	1 PC	1 PC
GW	2.9 KGS	3.4KGS	4.7 KGS	6.4KGS
Cartons (mm)	540*245*130MM	580*260*130MM	650*300*130MM	740*330*130MM





Mosun Warranty Policy

All products are under 5-year warranty since the date of luminaires were delivered to you.

1. Under warranty terms, if products are broken down under normal usage within warranty period, Mosun company will provide new lamp for instead of or provide FREE Maintenance service based on the proof-documents and invoice (copy) of the failed products.
2. Mosun company will not provide paid maintenance service under following conditions even within warranty period.
 - a) Failure or damage caused by force majeure.
 - b) Failure or damage caused by transportation or unloading
 - c) Failure or damage caused by incorrect usage or fail to comply with the manual and caution
 - d) Failure or damage caused by demolition, repair or alternation without our authorization.
3. Mosun company always reserves the right for final explanation of aforesaid terms