

S Series Led Street light specification

Products Images and Size

40W

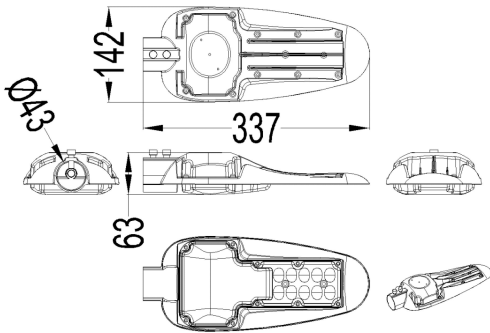


Applications

Widely used in all kinds of road lighting: express way, Trunk Road and Welcome Road, main roads to government agencies and large public buildings, road of downtown and Business center secondary main road, branch, residential roads and sidewalk, also can be used in general building, square, goods yard, and scenic spot. Can be installed on the lamp-post of 3m-5m.



Product size



Technical data

Item No	Power	LED Source	LED Qty	Input Vol	Power Factor
MS-LSP40W-S01	40W	Lumileds 3030 LED	40 PCS	AC100-277V	≥0.95

Beam angle	CCT	CRI	Material	Lumen	Certificate	IP	Warranty
150° *100°	3000~6000K	75	Aluminium	120~130lm/W	CE ROHS	IP65	7 years

60W

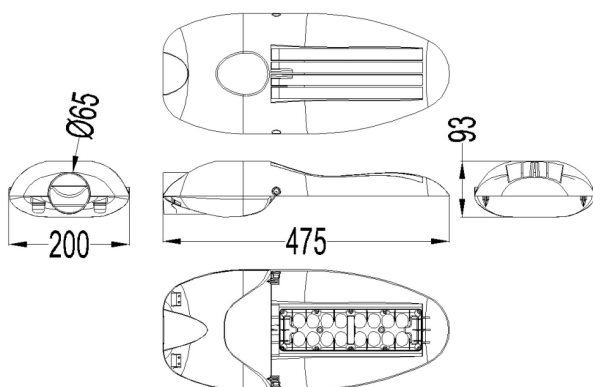


Applications

Widely used in all kinds of road lighting: express way, Trunk Road and Welcome Road, main roads to government agencies and large public buildings, road of downtown and Business center secondary main road, branch, residential roads and sidewalk, also can be used in general building, square, goods yard, and scenic spot. Can be installed on the lamp-post of 4m-6m.



Product size



Technical data

Item No	Power	LED Source	LED Qty	Input Vol	Power Factor
MS-LSP60W-S02	60W	Lumileds 3030 LED	64 PCS	AC100-277V	≥0.95

Beam angle	CCT	CRI	Material	Lumen	Certificate	IP	Warranty
140° *100°	3000~6000K	75	Aluminium	120~130lm/W	CE ROHS	IP65	7 years

80W

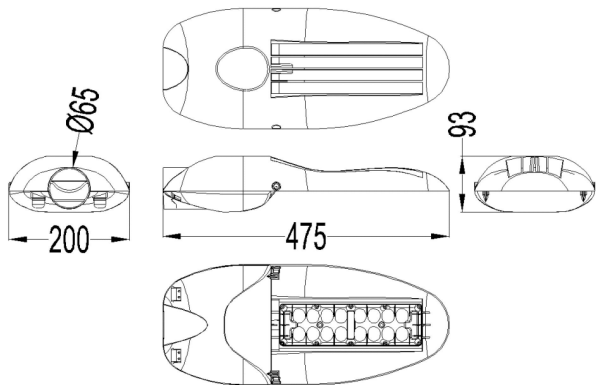


Applications

Widely used in all kinds of road lighting: express way, Trunk Road and Welcome Road, main roads to government agencies and large public buildings, road of downtown and Business center secondary main road, branch, residential roads and sidewalk, also can be used in general building, square, goods yard, and scenic spot. Can be installed on the lamp-post of 6m-8m.



Product size



Technical data

Item No	Power	LED Source	LED Qty	Input Vol	Power Factor
MS-LSP80W-S03	80W	Lumileds 3030 LED	96 PCS	AC100-277V	≥0.9

Beam angle	CCT	CRI	Material	Lumen	Certificate	IP	Warranty
150*100°	3000~6000K	75	Aluminium	120~130lm/W	CE ROHS	IP65	7 years

100W

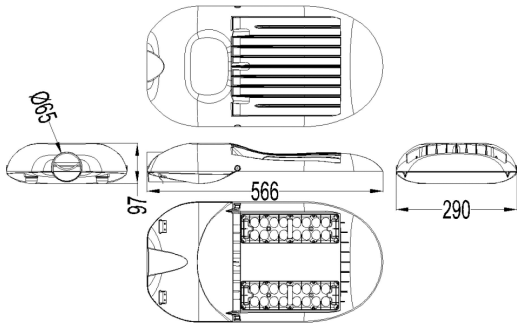


Applications

Widely used in all kinds of road lighting: express way, Trunk Road and Welcome Road, main roads to government agencies and large public buildings, road of downtown and Business center secondary main road, branch, residential roads and sidewalk, also can be used in general building, square, goods yard, and scenic spot. Can be installed on the lamp-post of 6m-8m.



Product size



Technical data

Item No	Power	LED Source	LED Qty	Input Vol	Power Factor
MS-LSP100W-S04	100W	Lumileds 3030 LED	128 PCS	AC100-277V	≥0.95

Beam angle	CCT	CRI	Material	Lumen	Certificate	IP	Warranty
140*100°	3000-6000K	75	Aluminium	120-130lm/W	CE ROHS	IP65	7 years

150W

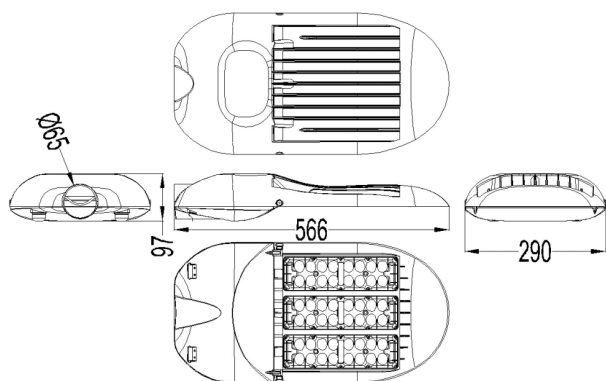


Application areas

Widely used in all kinds of road lighting: express way, Trunk Road and Welcome Road, main roads to government agencies and large public buildings, road of downtown and Business center secondary main road, branch, residential roads and sidewalk, also can be used in general building, square, goods yard, and scenic spot. Can be installed on the lamp-post of 10m-12m..



Product size



Technical data

Item No	Power	LED Source	LED Qty	Input Vol	Power Factor
MS-LSP150W-S05	150W	Lumileds 3030 LED	192 PCS	AC100-277V	≥0.95

Beam angle	CCT	CRI	Material	Lumen	Certificate	IP	Warranty
150*100°	3000~6000K	75	Aluminium	120~130lm/W	CE ROHS	IP65	7 years

200W

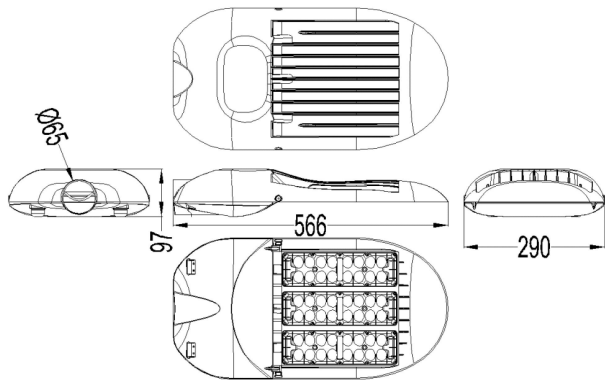


Applications

Widely used in all kinds of road lighting: express way, Trunk Road and Welcome Road, main roads to government agencies and large public buildings, road of downtown and Business center secondary main road, branch, residential roads and sidewalk, also can be used in general building, square, goods yard, and scenic spot. Can be installed on the lamp-post of 12m-15m.



Product size



Technical data

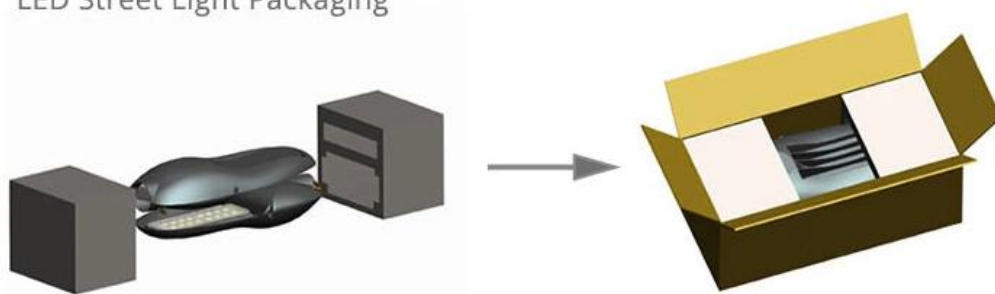
Item No	Power	LED Source	LED Qty	Input Vol	Power Factor
MS-LSP200W-S06	200W	Lumileds 3030 LED	288 PCS	AC100-277V	≥0.95

Beam angle	CCT	CRI	Material	Lumen	Certificate	IP	Warranty
150*100°	3000-6000K	75	Aluminium	120-130lm/W	CE ROHS	IP65	7 years

Packing

Item	MS-LSP40W-S01	MS-LSP60W-S02	MS-LSP80W-S03	MS-LSP100W-S04	MS-LSP150W-S05	MS-LSP200W-S06
Package Qty	2 PCS	2PCS	2 PCS	2PCS	2 PCS	2 PCS
GW(kg)	4.5	9.5	11.3	12.5	14	15.2
Inner Box Size(mm)	390×185×180	525×245×230	525×245×230	625×335×240	625×335×240	625×335×240

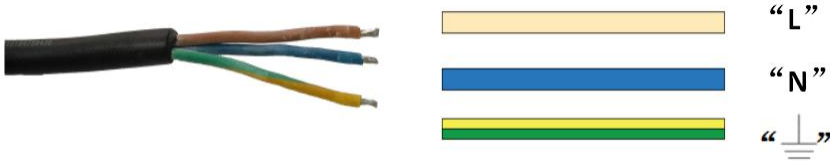
LED Street Light Packaging



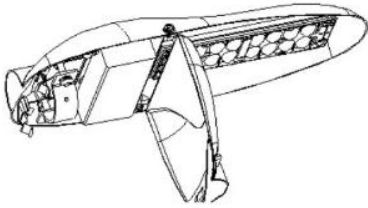
Installation Instructions

Attention:

- 1) Be sure disconnect power before installing, don't construction with electricity.
- 2) Product working voltage is AC100~277V,50/60Hz, Please do not exceed the working voltage range.
- 3) Input product line, brown is **L**, blue is **N**, yellow-green is **GND**.
- 4) Be sure wiring is closed and prevent leakage, when installing.
- 5) The lamp can not be used in violation of any fire regulations.

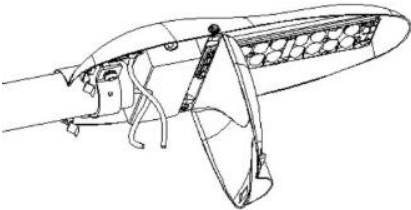


Installation Drawing



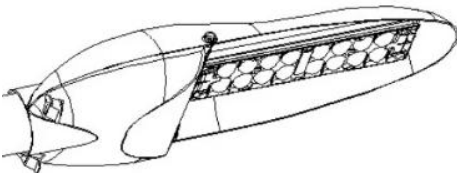
Step 1

Unclose the package and take the light off, then open the Power Cover, afterwards, unscrew the M10 Screws, as it is shown.



Step 2

Insert the lamp body into the light pole, then twist the screws each side, in this way, the lamp body is fixed on the light pole, after then, connect the lead wire with the main-electricity wire.



Step 3

Close the Power Cover, the installation is finished.