

L Series Led Flood Light Specification

100W

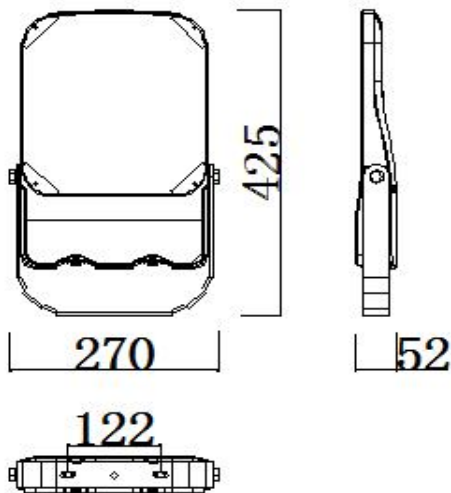


Application areas

- LED flood lights mainly apply to outdoor advertising,
- landscapes, exterior wall lighting and etc.



Product size



Technical data

Item No	Power	LED Source	LED Qty	Input Vol	Power Factor
MS-FL100WZ-L02	100W	Philips 3030 LED	144 PCS	AC100-277V	≥0.9

Beam angle	CCT	CRI	Material	Lumen	Certificate	IP	Warranty
15/30/60/60/120° /T2/T3	3000~6000K	75	Aluminium	140~150lm/W	CE ROHS	IP66	5 years

150W

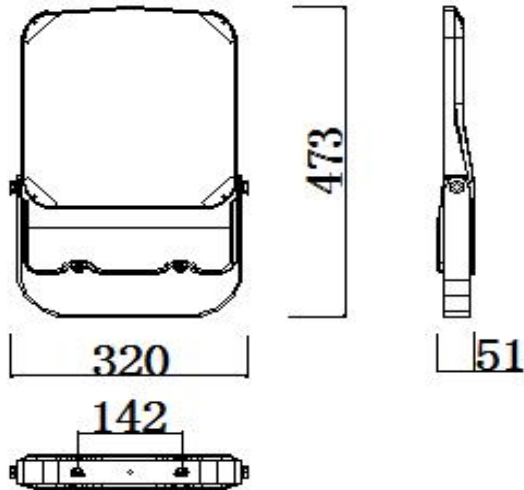


Application areas

- LED flood lights mainly apply to outdoor advertising,
- landscapes, exterior wall lighting and etc.



Product size



Technical data

Item No	Power	LED Source	LED Qty	Input Vol	Power Factor
MS-FL150WZ-L03	150W	Philips 3030 LED	256 PCS	AC100-277V	≥0.9

Beam angle	CCT	CRI	Material	Lumen	Certificate	IP	Warranty
15/30/60/60/120° /T2/T3	3000~6000K	75	Aluminium	140~150lm/W	CE ROHS	IP66	5 years

200W

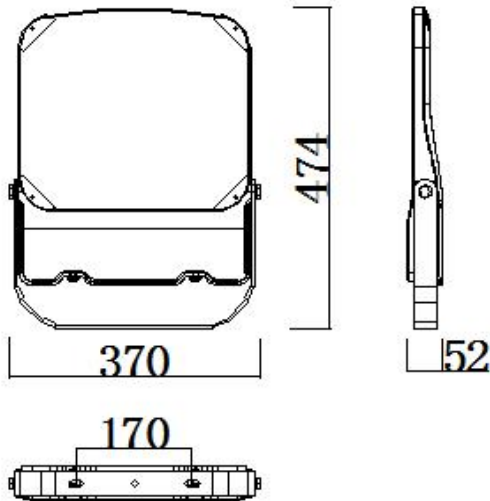


Application areas

- LED flood lights mainly apply to outdoor advertising,
- landscapes, exterior wall lighting and etc.



Product size



Technical data

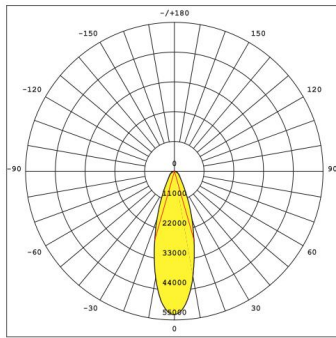
Item No	Power	LED Source	LED Qty	Input Vol	Power Factor
MS-FL200WZ-L034	200W	Philips 3030 LED	320 PCS	AC100-277V	≥0.9

Beam angle	CCT	CRI	Material	Lumen	Certificate	IP	Warranty
15/30/60/60/120° /T2/T3	3000~6000K	75	Aluminium	140~150lm/W	CE ROHS	IP66	5 years

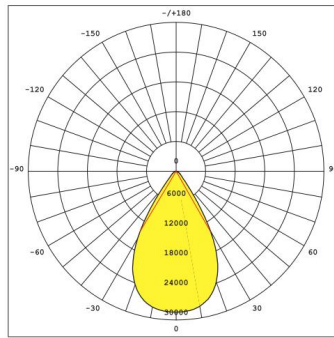
Housing	Small	Medium	Large
Model:	MS-FL100WZ-L02	MS-FL150WZ-L03	MS-FL200WZ-L04
Power:	100w	150w	120w
Led Source:	Philips-3030LED	Philips-3030LED	Philips-3030LED
Led Quantity:	144pcs	256pcs	360pcs
Working voltage:	AC100-277V	AC100-277V	AC100-277V
LED Driver	Meanwell XLG	Meanwell XLG	Meanwell XLG
Beam angle:	15/30/60/90/120° /T2/T3	15/30/60/90/120° /T2/T3	15/30/60/90/120° /T2/T3
Lumen for 3000K:	13000lm	19500lm	26000lm
Lumen for 4000K:	14000lm	21000lm	28000lm
Lumen efficiency	130-150lm/w	130-150lm/w	130-150lm/w
Power Factor:	>0.9	>0.9	>0.9
SDCM	<5	<5	<5
Color rendering index:	≥70Ra/80Ra	≥70Ra/80Ra	≥70Ra/80Ra
Protection Rating	IP65/IK08	IP65/IK08	IP65/IK08
Product Dimensions	425x270x52mm	473x320x51mm	474x327x52mm
Material	Aluminum Alloy	Aluminum Alloy	Aluminum Alloy
Warranty	5 years	5 years	5 years



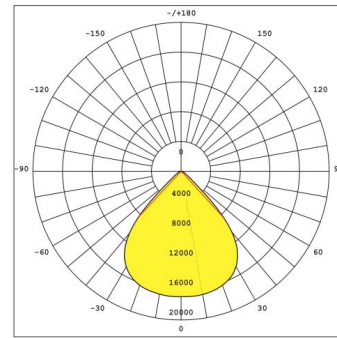
Distribution Curve Flux



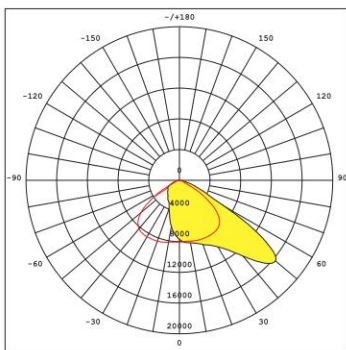
30°



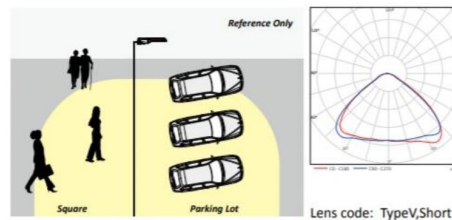
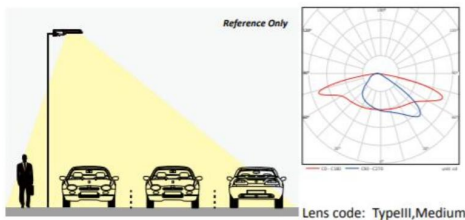
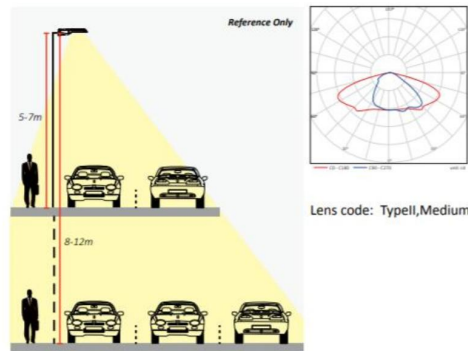
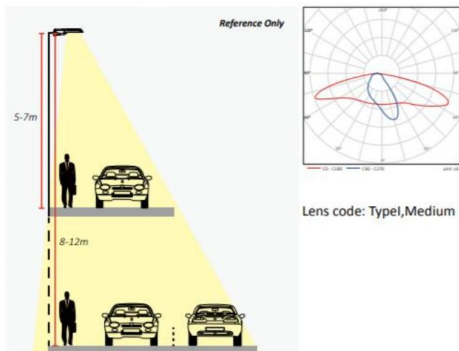
60°



90°



Asymmetrical



Type I/II/III/V



Item	MS-FL100WZ-L02	MS-FL150WZ-L03	MS-FL200WZ-L04
Package Qty	1 PCS	1 PCS	1 PCS
GW	5.5 KG	6.2 KG	6.8 KG
Carton Dimensions(mm)	460*290*120MM	510*340*120MM	510*390*120MM

Installation Instructions

Attention:

- 1) Be sure disconnect power before installing, don't construction with electricity.
- 2) Product working voltage is AC100~277V,50/60Hz, Please do not exceed the working voltage range.
- 3) Input product line, brown is **L**, blue is **N**, yellow-green is **GND**.
- 4) Be sure wiring is closed and prevent leakage, when installing.
- 5) The lamp can not be used in violation of any fire regulations.

