

JP Series Led street light specification

Products Images and Size

50W

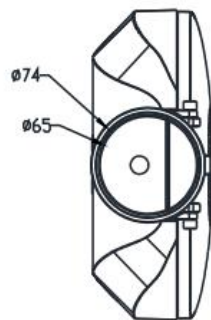
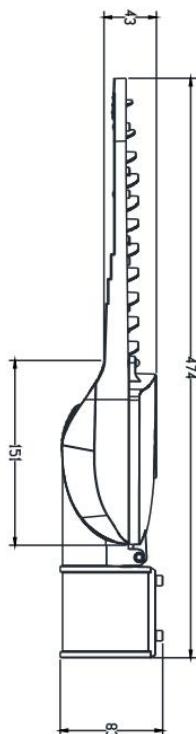
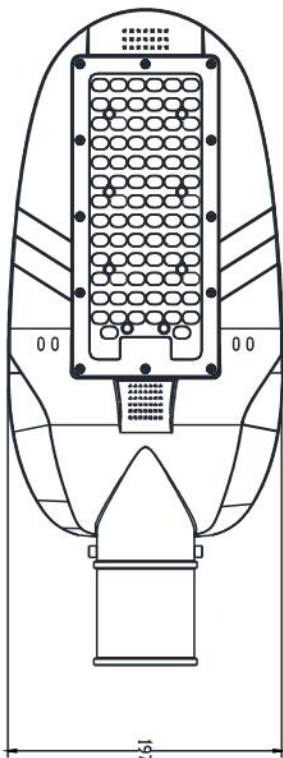


Application areas

Widely used in all kinds of road lighting: express way, Trunk Road and Welcome Road, main roads to government agencies and large public buildings, road of downtown and Business center secondary main road, branch, residential roads and sidewalk, also can be used spot. Can be installed on the lamp-post of 6m-8m. the distance used to 3-3.5times of the installation height.



Product Dimensions(MM)



100W

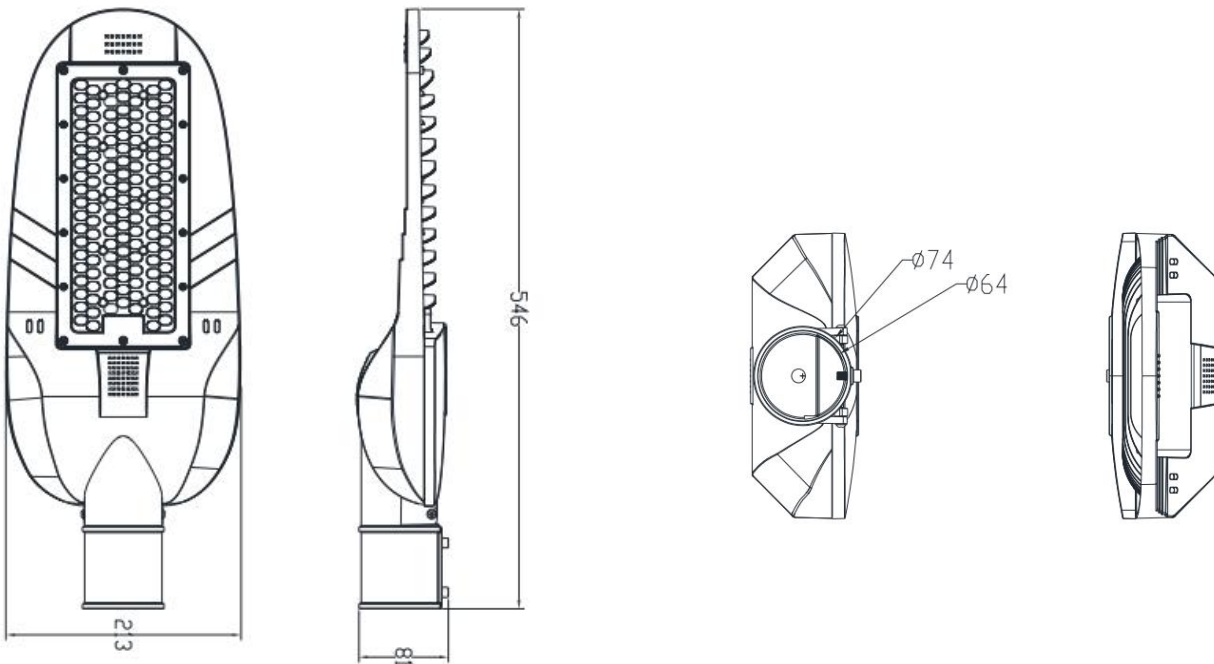


Application areas

Widely used in all kinds of road lighting: express way, Trunk Road and Welcome Road, main roads to government agencies and large public buildings, road of downtown and Business center secondary main road, branch, residential roads and sidewalk, also can be used in general building, square, goods yard, and scenic spot. Can be installed on the lamp-post of 8m-10m. The distance used to 3-3.5 times of the installation height.



Product Dimensions(MM)



150W

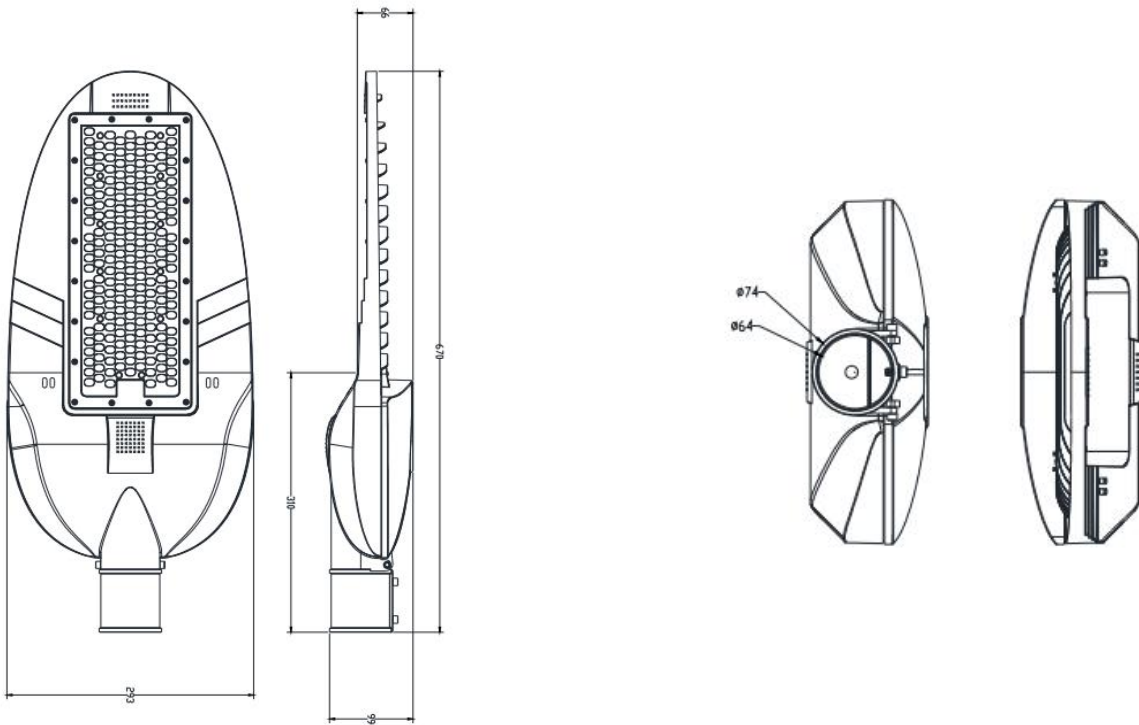
Application areas



Widely used in all kinds of road lighting: express way, Trunk Road and Welcome Road, main roads to government agencies and large public buildings, road of downtown and Business center secondary main road, branch, residential roads and sidewalk, also can be used in general building, square, goods yard, and scenic spot. Can be installed on the lamp-post of 12m-15m. The distance used to 3-3.5 times of the installation height.



Product Dimensions(MM)



Technical parameters

Model:	MS-LSH50WZ-JP01	MS-LSH100WZ-JP02	MS-LSH150WZ-JP03
Power:	50/60W	80W/100W	120W/150W
Led Source:	Philips-3030LED	Philips-3030LED	Philips-3030LED
Led Qnty:	80pcs	130pcs	200pcs
Working voltage:	AC100-277V	AC100-277V	AC100-277V
Driver	Mosun LED Driver	Mosun LED Driver	Mosun LED Driver
Beam angle:	140x70°	140x70°	140x70°
Lumen efficiency:	120-130lm/w	120-130lm/w	120-130lm/w
Power Factor:	>0.95	>0.95	>0.95
Correlated Color Temperature:	3000K-6500K	3000K-6500K	3000K-6500K
CRI	≥70Ra	≥70Ra	≥70Ra
Protection Rating:	IP66/IK08	IP66/IK08	IP66/IK08
THD	<15%	<15%	<15%
Surge protection	6KV(10KV Optional)	6KV(10KV Optional)	6KV(10KV Optional)
Working Temperature	-25℃ — +40℃	-25℃ — +40℃	-25℃ — +40℃
Lifespan	65000hours	65000hours	65000hours
Weight:	1.32KGS	2.01KGS	2.37KGS
Material	Aluminum Alloy	Aluminum Alloy	Aluminum Alloy

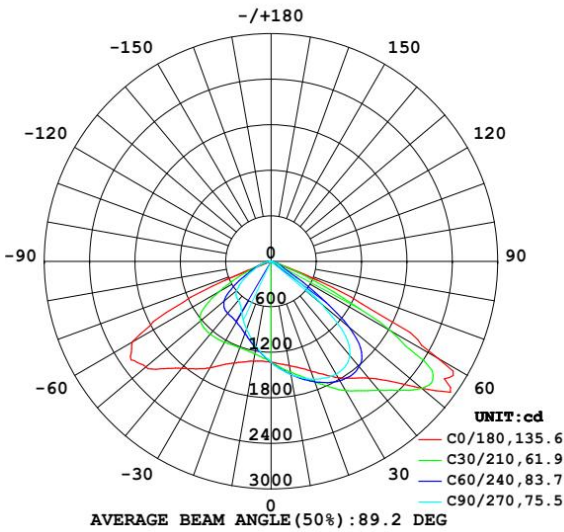


Surface of intensity distribution

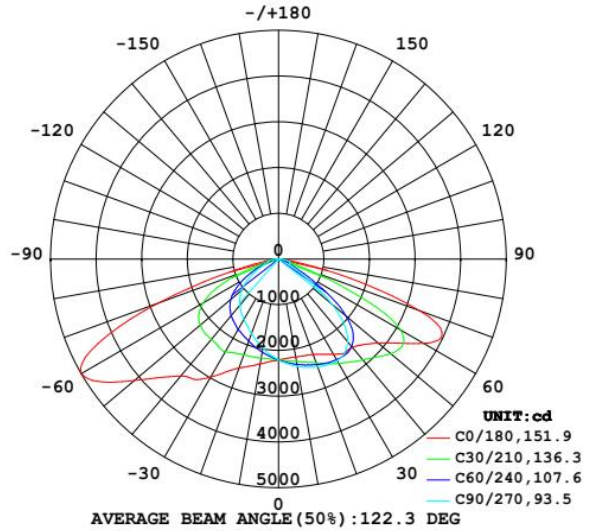
50W

100W

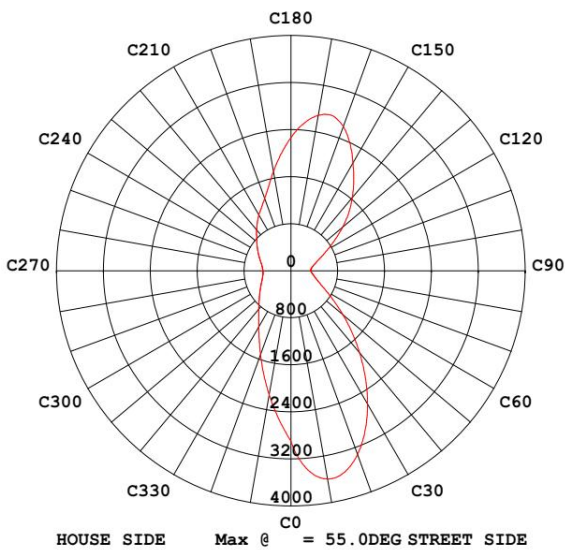
INTENSITY DISTRIBUTION DIAGRAM
IN C PLANS



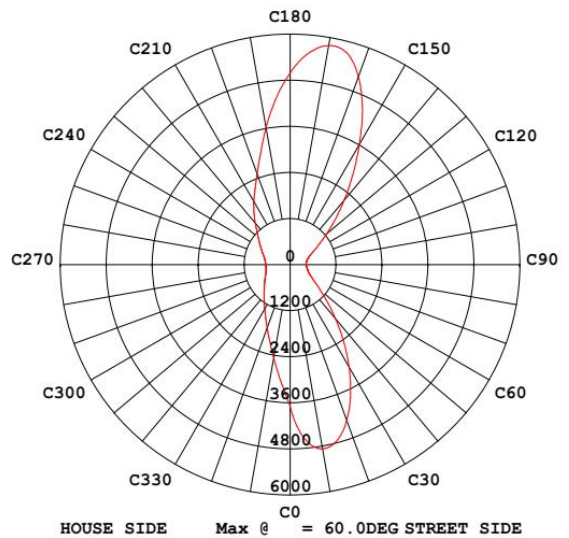
INTENSITY DISTRIBUTION DIAGRAM
IN C PLANS



MAX INTENSITY CONE SURFACE
DISTRIBUTION DIAGRAM

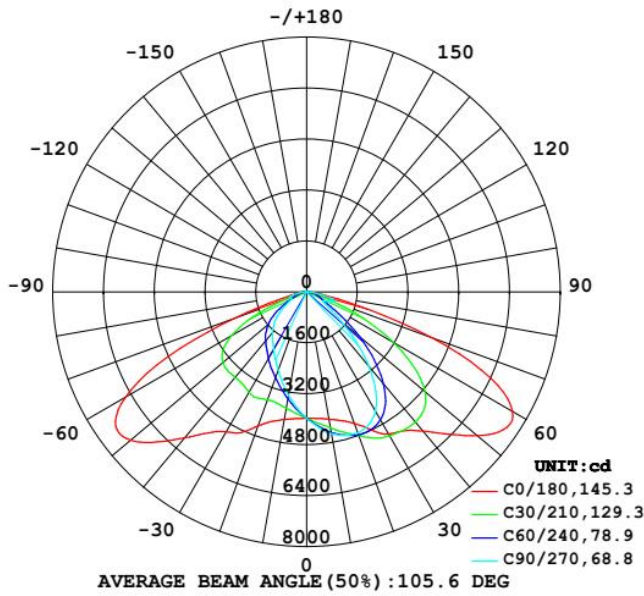


MAX INTENSITY CONE SURFACE
DISTRIBUTION DIAGRAM

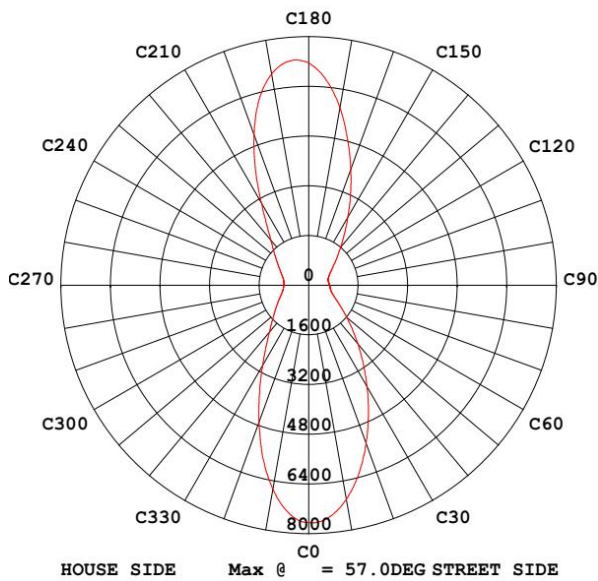


150W

**INTENSITY DISTRIBUTION DIAGRAM
IN C PLANS**

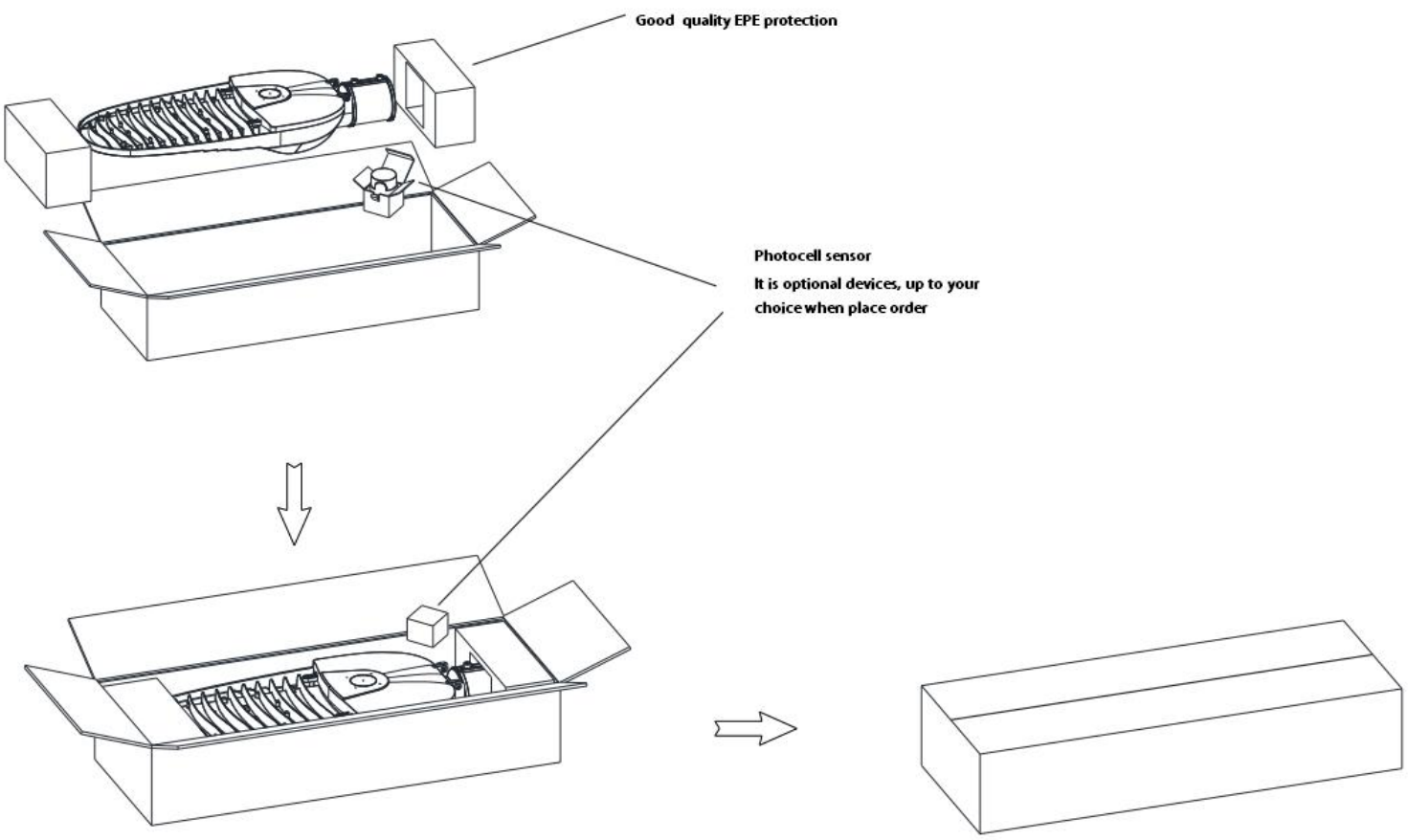


**MAX INTENSITY CONE SURFACE
DISTRIBUTION DIAGRAM**



Package

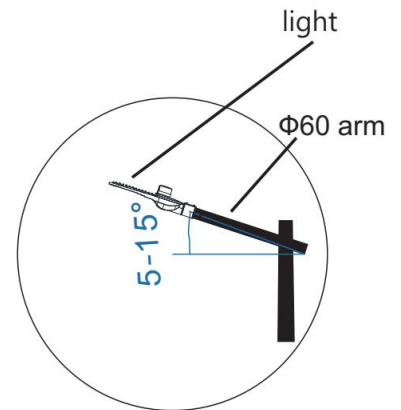
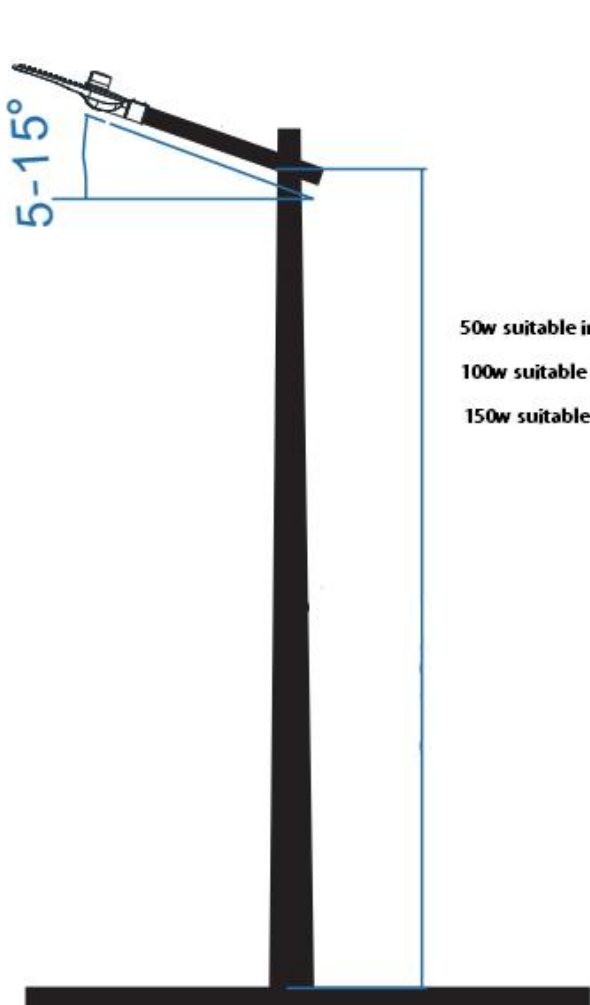
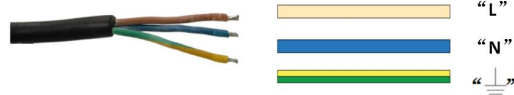
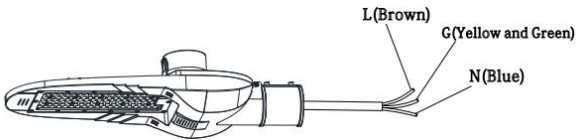
Item	MS-LSH50WZ-JP01	MS-LSH100WZ-JP02	MS-LSH150WZ-JP03
Qty in Carton	1 PC	1 PC	1 PC
Net Weight(KGS)	1.32	2.01	2.37
Gross Weight(KGS)	1.83	3.06	3.19
Carton Dimensions(MM)	515*205*115	590*225*115	680*303* 114



Installation Instructions

Attention:

- 1) Be sure disconnect power before installing, don't construction with electricity.
- 2) Product working voltage is AC100~277V,50/60Hz, Please do not exceed the working voltage range.
- 3) Input product line, brown is **L**, blue is **N**, yellow-green is **GND**.
- 4) Be sure wiring is closed and prevent leakage, when installing.
- 5) The lamp can not be used in violation of any fire regulations.





Mosun Warranty Policy

All products are under 5-year warranty since the date of luminaires were deliver to you.

1. Under warranty terms,if products are broken down under normal usage within warranty period,Mosun company will provide new lamp for instead of or provide FREE Maintenance service base on the proof-documents and invoice (copy) of the failed products.
2. Mosun company will not provide paid maintenance service under following conditions even within warranty period.
 - a)Failure or damage caused by force majeure.
 - b) Failure or damage caused by transportation or unloading
 - c) Failure or damage caused by incorrectly usage or fail to comply with the manual and caution
 - d) Failure or damage caused by demolition, repair or alternation without our authorization.
3. Luminous Light company always reserves the right for final explanation of aforesaid terms