

TK Series ultra slim LED flood light



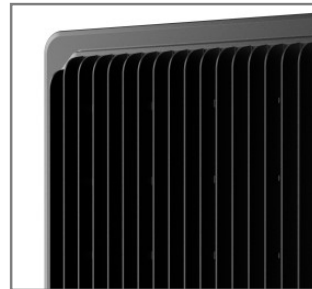
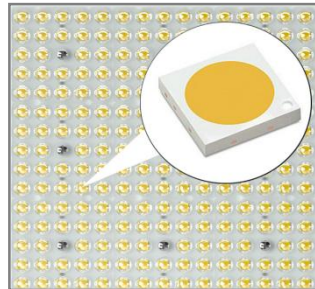
Features.:

- High-quality die-casting aluminum #ADC12 housing, with integrated shell, high hardness, not easy to break, good heat dissipation, greatly improving service life.
- The lamp body is completely sealed and suitable work in thunder and rain.
- High-quality high-brightness LED light source, high luminous efficiency, high color rendering, no radiation pollution, long service life.
- No EMI, low harmonic distortion (THD), through the CE, ROSS, FCC, SAA, RCM certification requirements.
- Working under the ambient temperature -30° to 55°
- Ease of maintenance. Tool-less opening of gear compartment & gear tray replacement

Overview



- LED Source: Lumileds 2835 LED
- Input Vol: AC100-277V,50/60hz
- SPD:10KV or 20KV
- CRI: $\geq 70/80Ra$
- IP Rate: IP66
- Bracket Max rotatable angle: 180°
- Body: Surface anti-corrosive treatment



Optical Lens:

PC+4mm thickness
tempered glass

High luminous efficacy lamp beads:

Adopt high luminous
efficiency chip, long lamp

lit. scatter heat device:

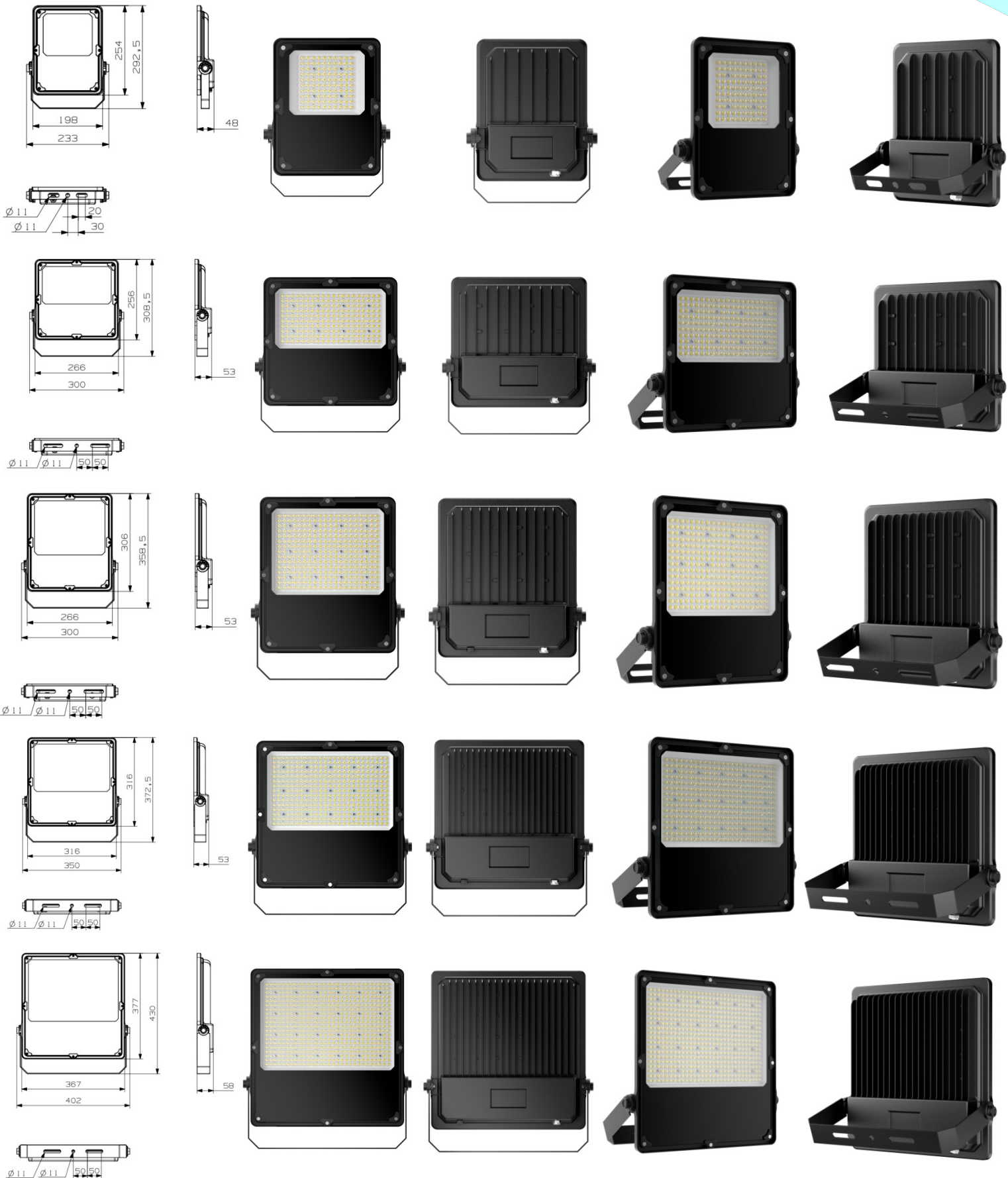
One-piece die-cast aluminum kit
with air convection heat dissipation
design for even heat dissipation and
long life.

Adjustable Bracket

Precise scale, accurate and convenient
angle adjustment. It can support 0-270°
angle adjustment.

Model	Housing Dimensions(mm)	Housing Net weight	Suitable for Wattage
50W	292.5x233x48	1.6 KGS	40-60W
100W	308.5x300x53	2.9 KGS	80-100W
150W	358.5x300x53	3.2 KGS	120-150w
200W	372.5x350x53	4.1 KGS	180-200W
300W	430x402x58	6.9 KGS	250-300W

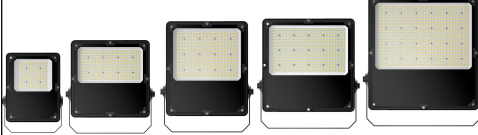
Production dimensions



Products Characteristics

Model:	MS-YFL50W-TK01	MS-YFL100W-TK02	MS-YFL150W-TK03	MS-YFL200W-TK04	MS-YFL300W-TK05
Wattage:	40-60W	80-100W	120-150W	180-200W	250-300W
Led Source:	Lumileds 2835 LED	Lumileds 2835 LED	Lumileds 2835 LED	Lumileds 2835 LED	Lumileds 2835 LED
Led Qty:	96 PCS	192 PCS	288 PCS	360 PCS	576 PCS
Working voltage:	AC100-277V	AC100-277V	AC100-277V	AC100-277V	AC100-277V
Driver brand options	Meanwell/Philips/ Inventronics /Sosen/Mosun	Meanwell/Philips/ Inventronics /Sosen/Mosun	Meanwell/Philips/ Inventronics /Sosen/Mosun	Meanwell/Philips/ Inventronics /Sosen/Mosun	Meanwell/Philips/ Inventronics /Sosen/Mosun
Optical lens options	30/60/90° 120° /T2 / T3/T4	30/60/90° 120° /T2 / T3/T4	30/60/90° 120° /T2 / T3/T4	30/60/90° 120° /T2 / T3/T4	30/60/90° 120° /T2 / T3/T4
Lumen efficiency:	150-160lm/w	150-160lm/w	150-160lm/w	150-160lm/w	150-160lm/w
Luminous	7500-8000lm	15000-16000lm	22000-23000lm	30000-32000lm	45000-47000lm
Power Factor:	>0.95	>0.95	>0.95	>0.95	>0.95
Correlated Color Temperature:	3000K-6500K	3000K-6500K	3000K-6500K	3000K-6500K	3000K-6500K
Color rendering index:	≥70Ra	≥70Ra	≥70Ra	≥70Ra	≥70Ra
SDCM	<5	<5	<5	<5	<5
IP Rating:	IP66/IK08	IP66/IK08	IP66/IK08	IP66/IK08	IP66/IK08
Surge protection (optional)	10KV/20KV	10KV/20KV	10KV/20KV	10KV/20KV	10KV/20KV
PIR	support	support	support	support	support
Housing Finish	Polyester powder coating	Polyester powder coating	Polyester powder coating	Polyester powder coating	Polyester powder coating
Standard colour(s)	Black	Black	Black	Black	Black
Materials	Aluminum Alloy+Tempered glass+Polycarbonate	Aluminum Alloy+Tempered glass+Polycarbonate	Aluminum Alloy+Tempered glass+Polycarbonate	Aluminum Alloy+Tempered glass+Polycarbonate	Aluminum Alloy+Tempered glass+Polycarbonate
Certificates	CE/RoHS	CE/RoHS	CE/RoHS	CE/RoHS	CE/RoHS
Warranty	5 years	5 years	5 years	5 years	5 years

Products Electrical Parameters

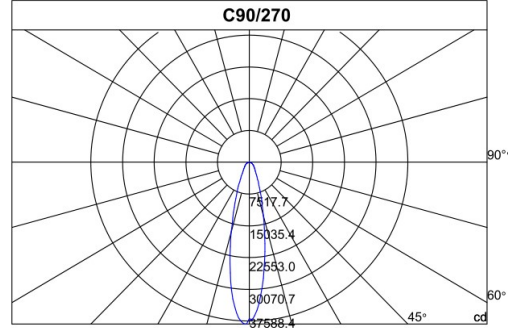
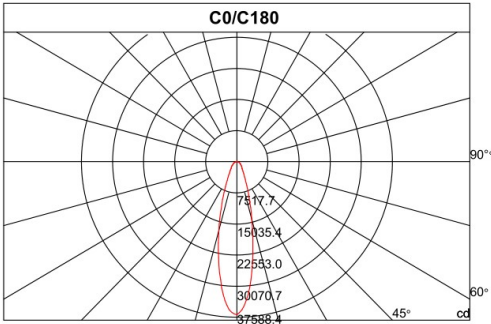
				Nominal flux (lm) (*)	Power consumption (W)	Nominal efficacy (lm/W)	Luminaire output flu(lm)	Luminaire efficacy (lm/W)	Photometry
Lamp	3030 LEDs	Current (mA)	Line Current (A)	(A) Typical	Typical	Typical	Typical	Typical	KingBrite T3
50W	144	2550	0.45	12160	80W	152	10080	126	KingBrite T3
				15100	100W	151	12400	124	
				18000	120w	150	14760	123	
100W	192	3800	0.68	20020	130w	154	16510	127	KingBrite T3
				22800	150W	152	18750	125	
				26820	180w	149	21960	122	
150W	288	5000	0.91	30400	200W	152	25200	126	KingBrite T3
				28520	230w	151	28520	124	
				37500	250w	150	30750	123	
200W									
300W									

Tolerance on LED flux is $\pm 7\%$ and on total luminaire power $\pm 5\%$

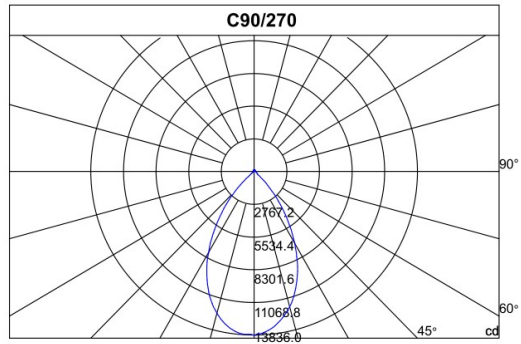
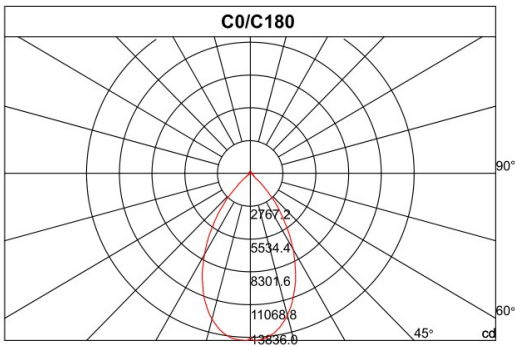
(*) The nominal flux is an indicative LED flux @ Ts 85° C based on LED manufacturer's data. The real flux output of the luminaire depends on environmental conditions (e.g. temperature and pollution) and the optical efficiency of luminaire. The type of LED used is subject to change due to the ongoing rapid progress taking place in LED technology

Photometric Distribution

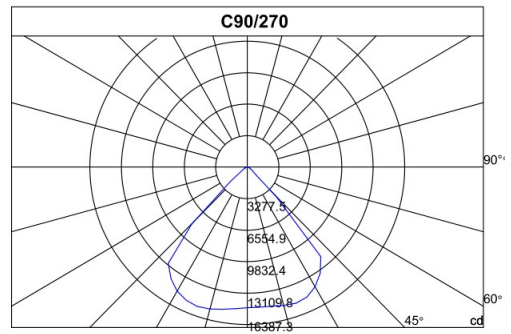
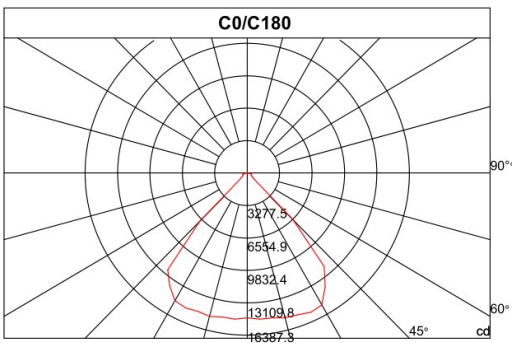
30°



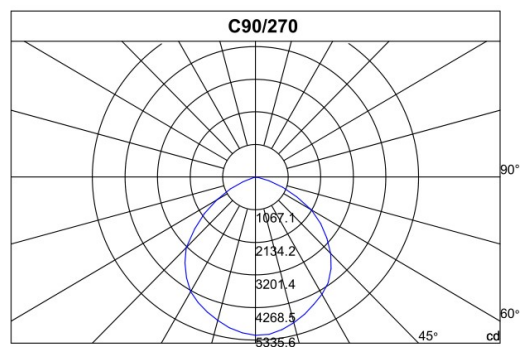
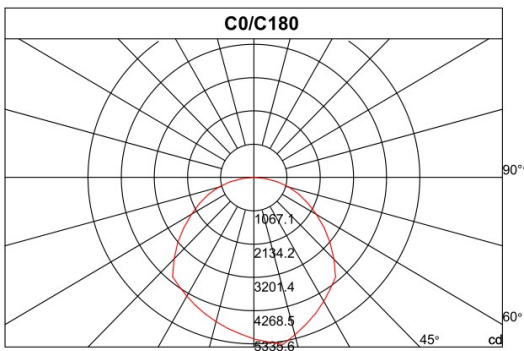
60°



90°

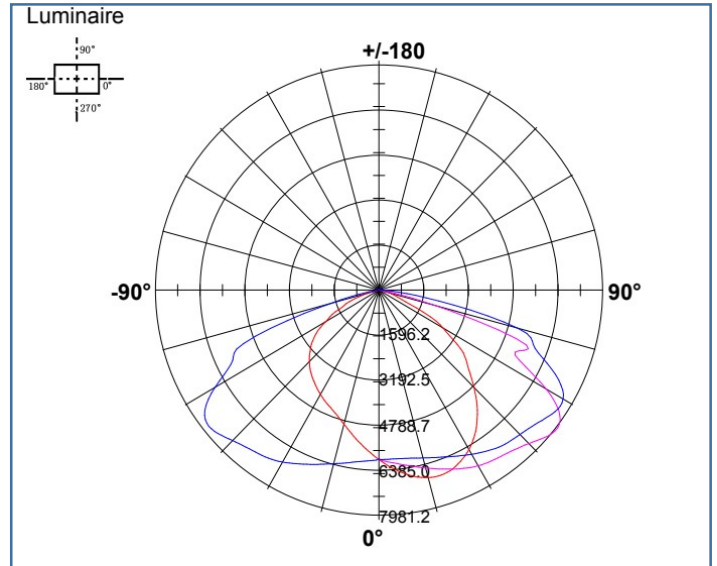
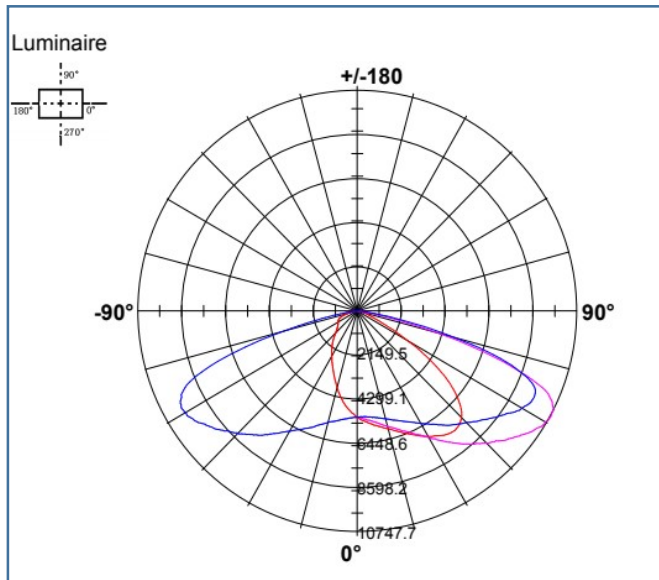


120°



Type II

Type III



Product Breakdown Diagram



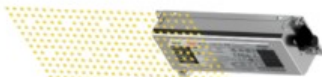
Thickened iron brackets



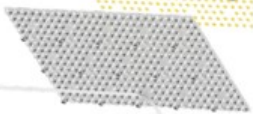
Die-casting Aluminum, Housing

Aluminum PCB

Thermal Respirator



Driver



SMD Light Source

UV-Proof Optical PC Lens



Nano-Plastic Reflector

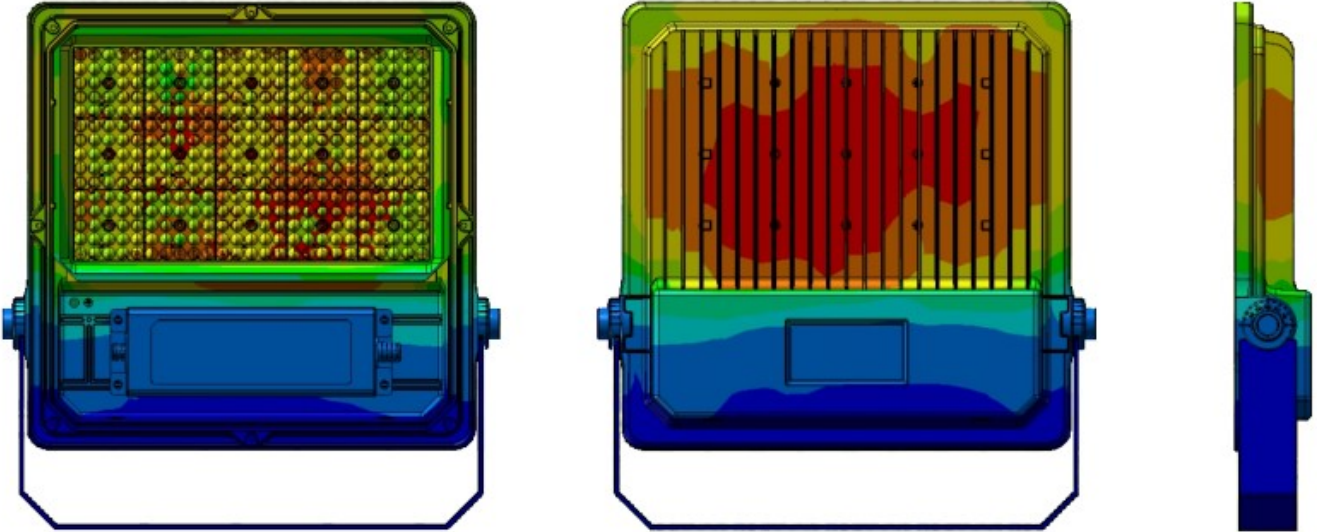


Waterproof Silicon Gel

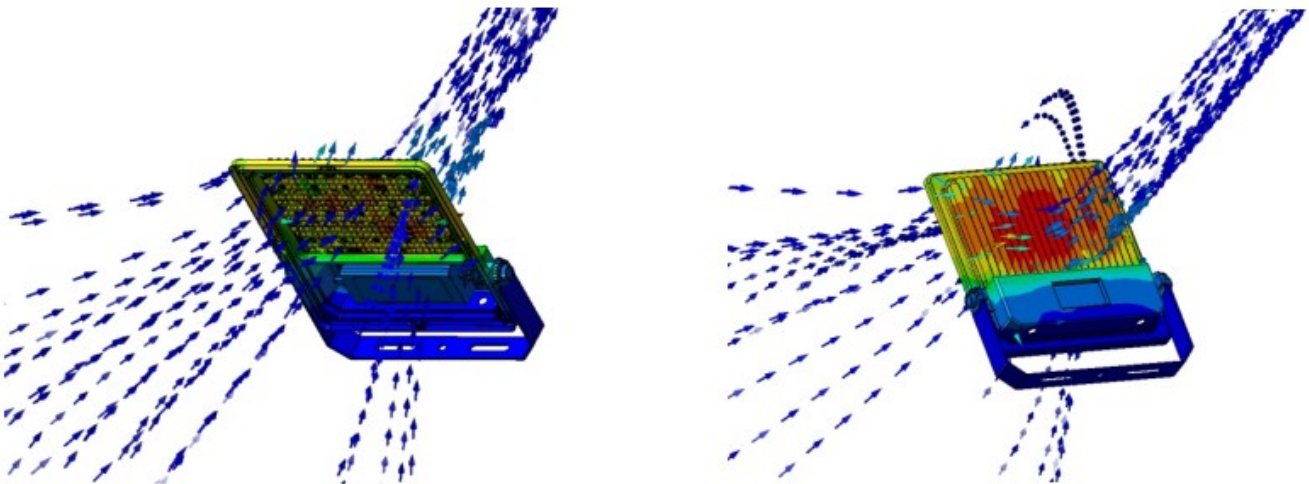
Tempered Glass Cover

LED Temperature rises

Adopt advanced finite element analysis technology to optimise the product heat dissipation structure design. The temperature rise of the lamps is well controlled, with small temperature difference between inside and outside, uniform heat dissipation and high luminous flux maintenance rate.

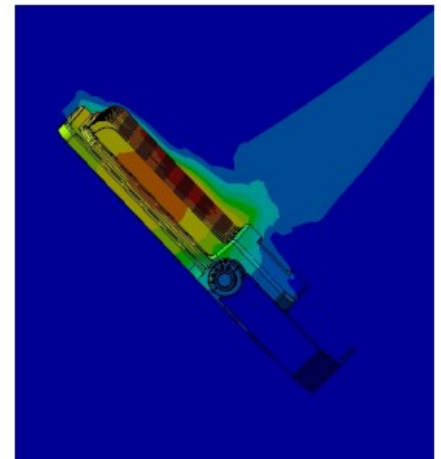
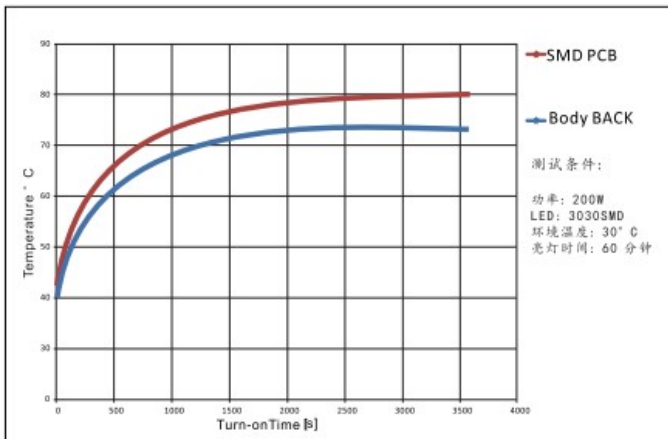


Schematic diagram of heat conduction and dissipation



Convection Heat Dissipation Schematic

Temperature rise curve



Breathing valve Optional:



- Waterproof
- Air circulation
- Pressure balance

Driver brand optional:

- Meanwell
- Turefull
- Philips
- Inventronics



SPD optional:

- SPD 10KV
- SPD 20KV



Features

- ◆ Suitable for use in luminaire with Class I or Class II installations
- ◆ Protection mode : L-N, L-PE, N-PE
- ◆ Built-in thermal detachment function, higher security
- ◆ Parallel wiring, easy maintenance
- ◆ Excellent impact resistance, low voltage limit
- ◆ Built-in LED indication, saves maintenance time by identifying replacement need
- ◆ IP67-Dust-tight and water resistant

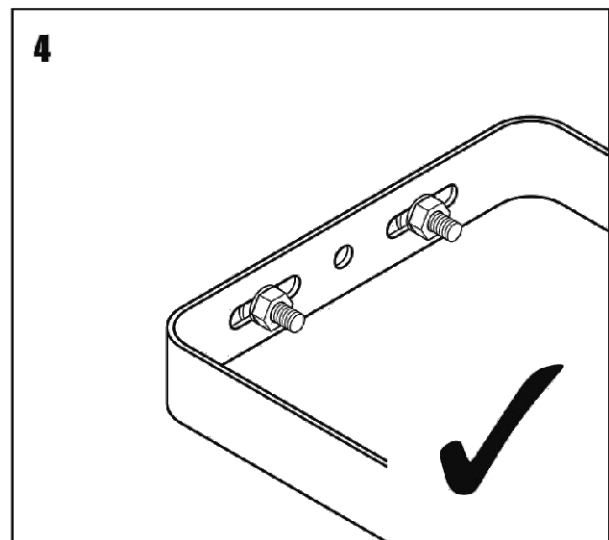
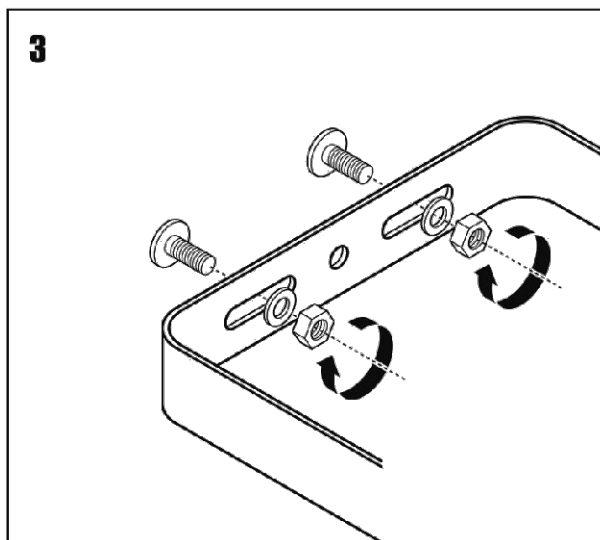
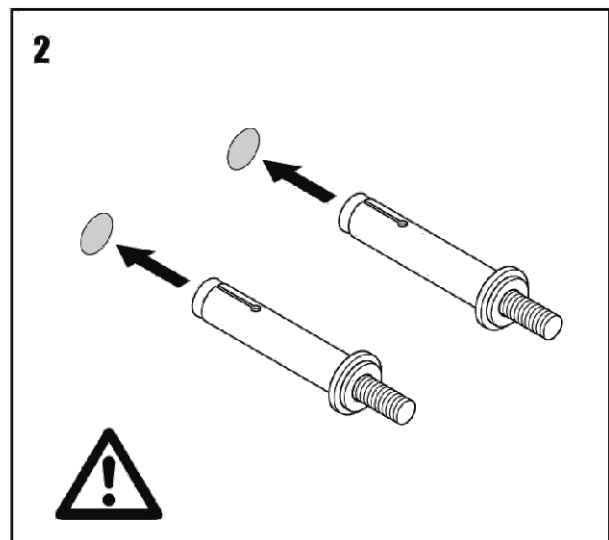
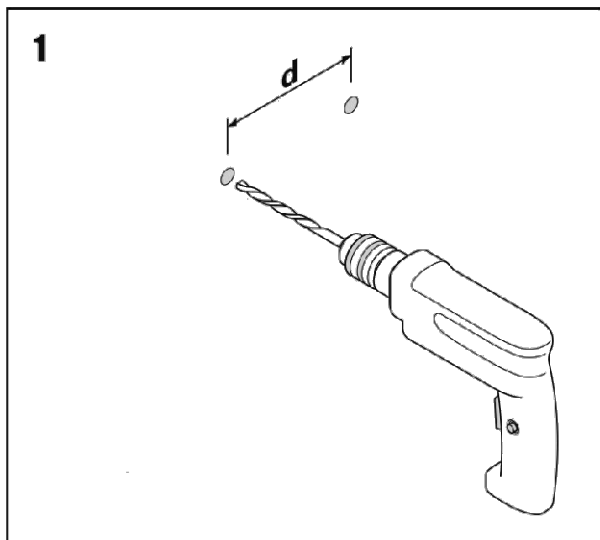
Installation Instructions

Attention:

- 1) Be sure disconnect power before installing, don't construction with electricity.
- 2) Product working voltage is AC100~277V,50/60Hz, Please do not exceed the working voltage range.
- 3) Input product line, brown is **L**, blue is **N**, yellow-green is **GND**.
- 4) Be sure wiring is closed and prevent leakage, when installing.
- 5) The lamp can not be used in violation of any fire regulations.

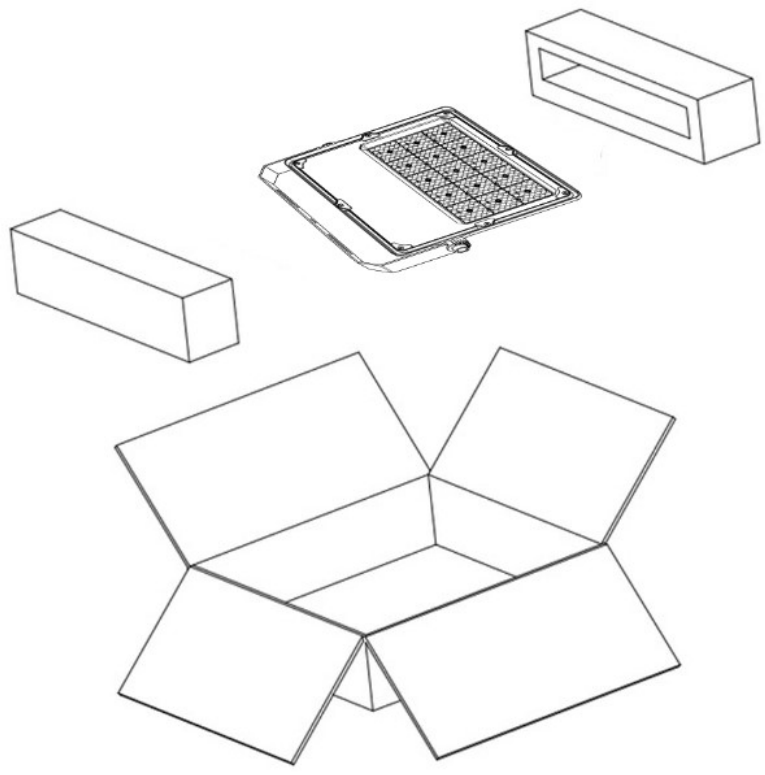


LED Floodlight



Package

Item	MS-YFL50W-TK01	MS-YFL100W-TK02	MS-YFL150W-TK03	MS-YFL200W-TK04	MS-YFL300W-TK05
Package Qty	10 PCS	1 PCS	1 PCS	1 PCS	1 PCS
GW	21 KG	3.2 KG	3.85 KG	4.9 KG	7.8 KG
Cartons(mm)	520*330*430MM	340*330*100MM	380*320*100MM	390*370*100MM	450*420*100MM



Mosun Warranty Policy

All products are under 5-year warranty since the date of luminaires were delivered to you.

1. Under warranty terms, if products are broken down under normal usage within warranty period, Mosun company will provide new lamp for instead of or provide FREE Maintenance service based on the proof-documents and invoice (copy) of the failed products.
2. Mosun company will not provide paid maintenance service under following conditions even within warranty period.
 - a) Failure or damage caused by force majeure.
 - b) Failure or damage caused by transportation or unloading
 - c) Failure or damage caused by incorrect usage or fail to comply with the manual and caution
 - d) Failure or damage caused by demolition, repair or alternation without our authorization.
3. Mosun company always reserves the right for final explanation of aforesaid terms

