

## XB Series LED Stadium Light

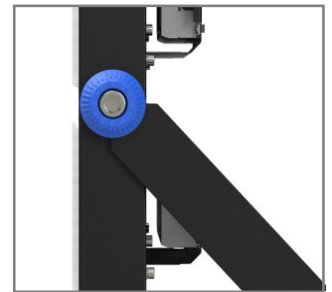
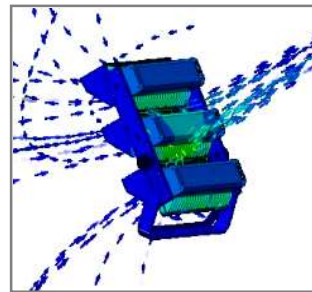
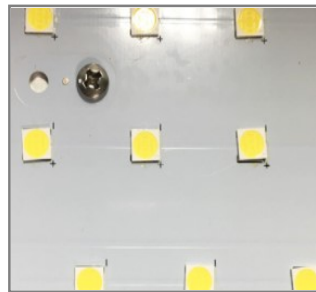
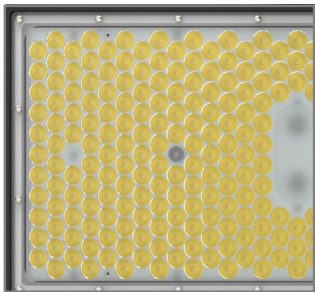
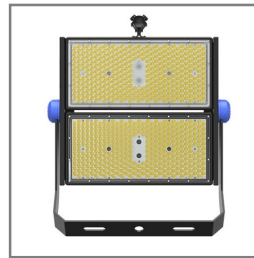


- High-quality aluminum alloy, with integrated shell, high hardness, good heat dissipation, greatly improving service life.
- The lamp body is completely sealed and work in thunder and rain.
- High-quality high-brightness LED light source, high luminous efficiency, high color rendering, no radiation pollution, long service life.
- No EMI, low harmonic distortion (THD), through the CE, ROSS, FCC, SAA, RCM certification requirements.

## Overview



- LED Source: lumileds 5050 Chip LED
- Input Vol: AC100-277V
- SPD:10KV & 20KV
- CRI: >75Ra
- IP Rate: IP66
- Warranty: 5 years
- Beam angle: 30° /45° /60° /90°



### Highlight chips:

Uniform light emission, low light decay, high brightness, long life.

### LED light source:

High luminous efficiency, high brightness, low resistance to light attenuation, stable power.

### convection cooling:

Air convection cooling design.

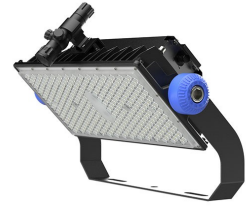
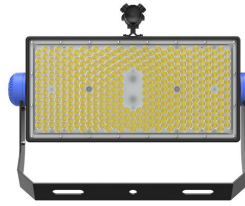
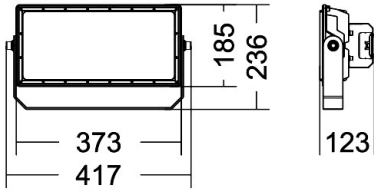
### Mounting arm:

0-180° adjustable.

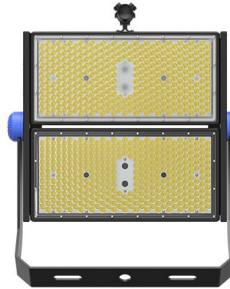
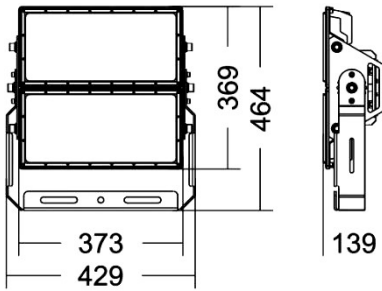
Model	Power	Luminous efficiency	CCT
MS-MLTU250W-XB01	250W	150lm/160lm	3000-6500K
MS-MLTU500W-XB02	500W	150lm/160lm	3000-6500K
MS-MLTU750W-XB03	750W	150lm/160lm	3000-6500K
MS-MLTU1000W-XB04	1000W	150lm/160lm	3000-6500K
MS-MLTU1250W-XB05	1250W	150lm/160lm	3000-6500K
MS-MLTU1500W-XB06	1500W	150lm/160lm	3000-6500K
MS-MLTU2000W-XB07	2000W	150lm/160lm	3000-6500K

## Production dimensions

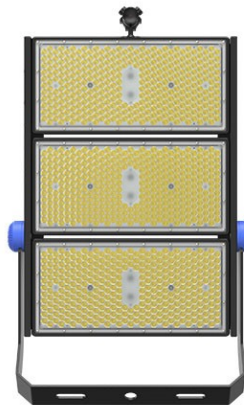
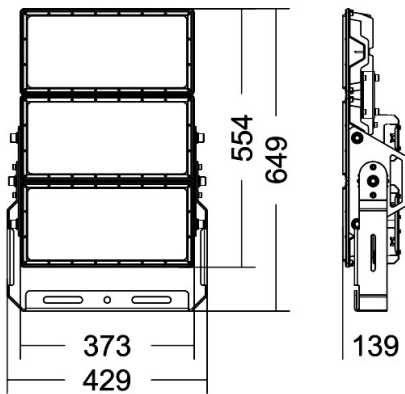
### 250W



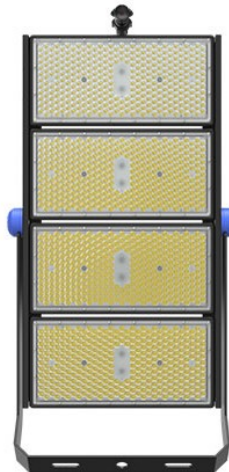
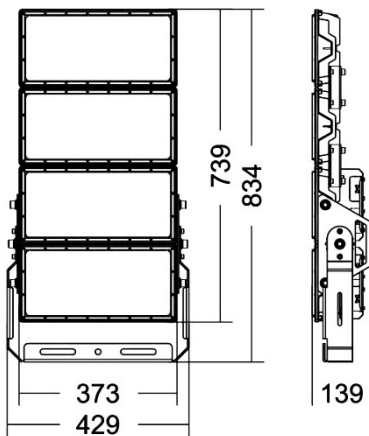
### 500W



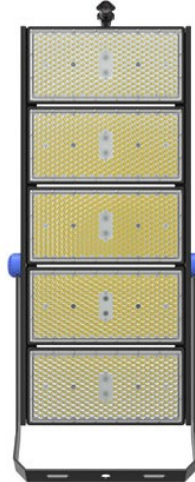
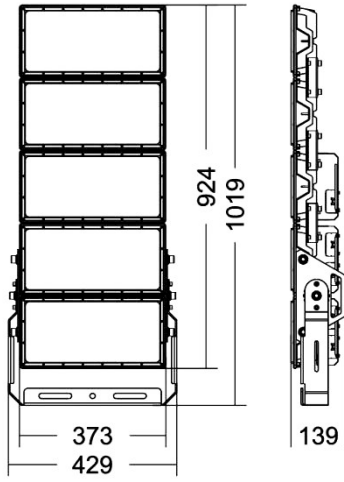
### 750W



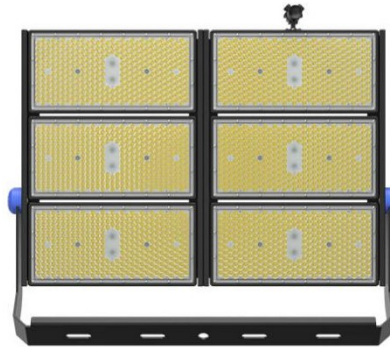
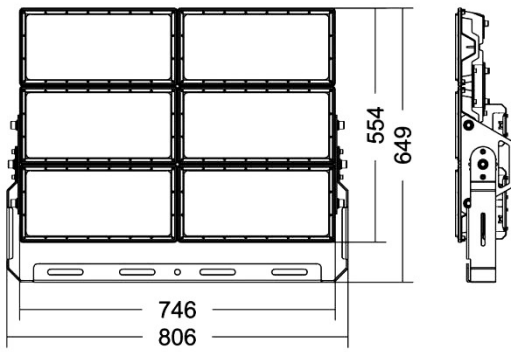
### 1000W



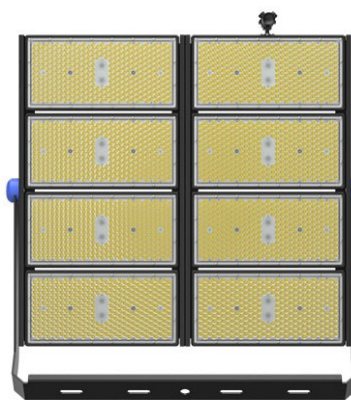
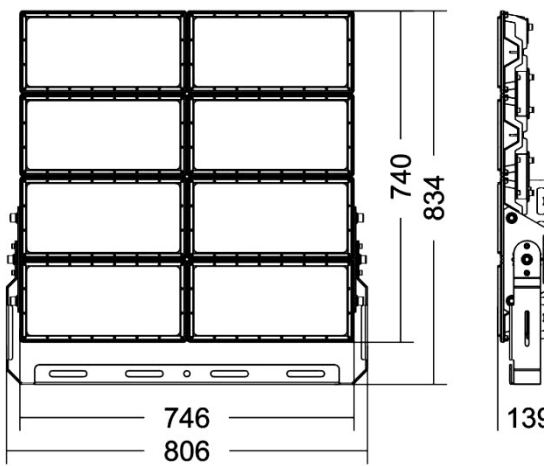
1250W



1500W



2000W





## Products Electrical Parameters

				Nominal flux (lm) (*)	Power consumption (W)	Nominal efficacy (lm/W)	Luminaire output flu(lm)	Luminaire efficacy (lm/W)	Photometry
Lamp	5050 LEDs	Current (mA)	Line Current (A)	(A) Typical	Typical	Typical	Typical	Typical	KingBrite T3
1 module	84	4700	1.12	46000	250W	184	37750	151	KingBrite T3
2 module	168	9400	2.24	91500	500W	183	75000	150	
3 module	252	14100	3.34	138000	750W	184	113250	151	
4 module	336	11300	4.45	182000	1000W	182	149700	149	
5 module	420	23500	5.57	227500	1250W	182	185400	148	
6 module	504	28200	6.68	274500	1500W	183	225000	150	
8 module	672	37600	8.91	358000	2000W	179	294000	147	

Tolerance on LED flux is  $\pm 7\%$  and on total luminaire power  $\pm 5\%$

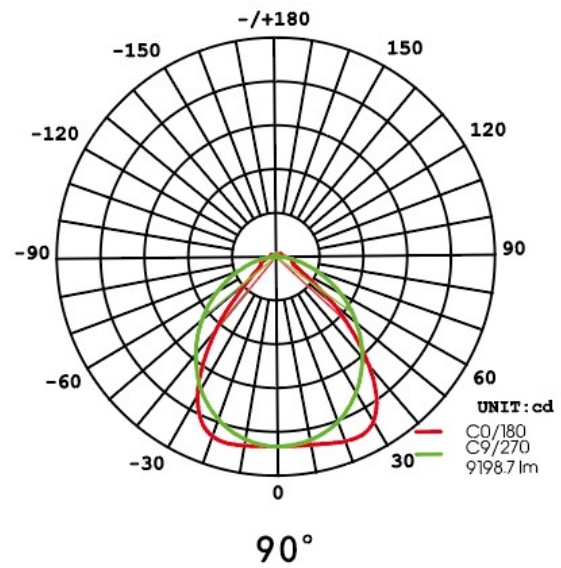
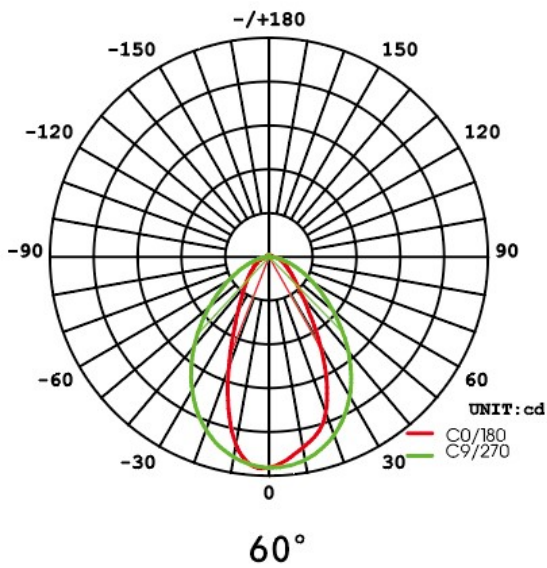
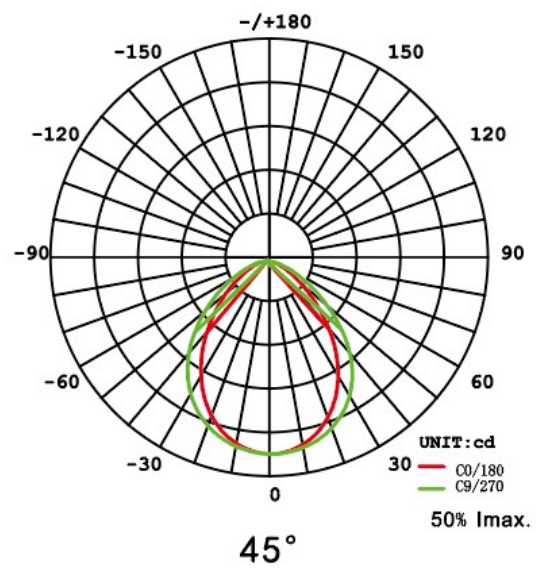
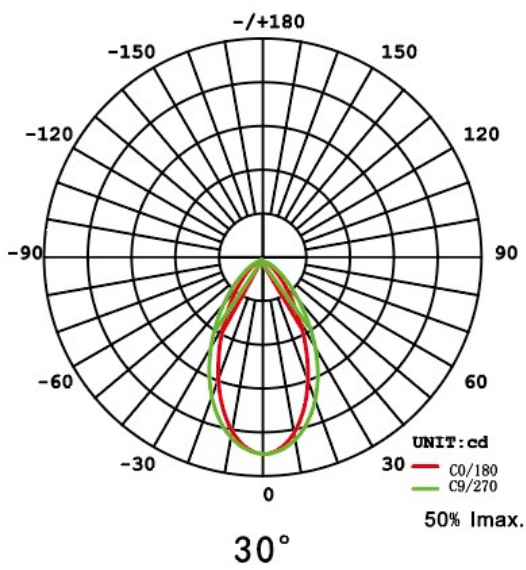
(\*) The nominal flux is an indicative LED flux @  $T_s 85^\circ \text{C}$  based on LED manufacturer's data. The real flux output of the luminaire depends on environmental conditions (e.g. temperature and pollution) and the optical efficiency of luminaire. The type of LED used is subject to change due to the ongoing rapid progress taking place in LED technology

## Photometric distribution

### Optics

Tech.Support: Tell us the room length, width, height and the usage.

We have an engineer team to respnd the DIALUX simulations for lights quantity calculation and effects. ies files are available upon request.



## Dissamble illustration

### EXPLODED

Driver is installed on the back driver case.

Thermal&Electrical divided structure.

Famous LED Driver MEANWELL/Philips is adopted to ensure stable performance.

ADC12 Die-casting aluminum body.

Thermal efficiency up to 96W/M.K.

Waterproof silicone gel.

Laser sight

Highly thermal conductive aluminum PCB ensures lower temperature of LEDs.

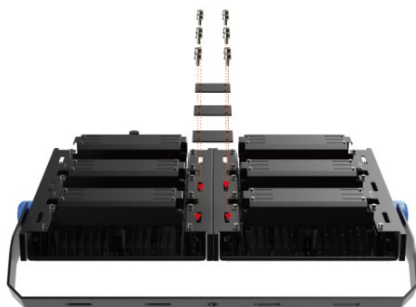
3030/5050 SMD Light Source

High temperature resistant optical lens.  
UV-Proof design. Do not turn yellow after long time. Precision lighting angles.

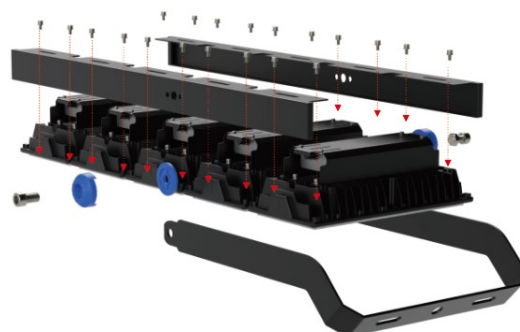
Strong iron bracket

### MODULE INSTALLATION

Dual-rows



Mono-rows.

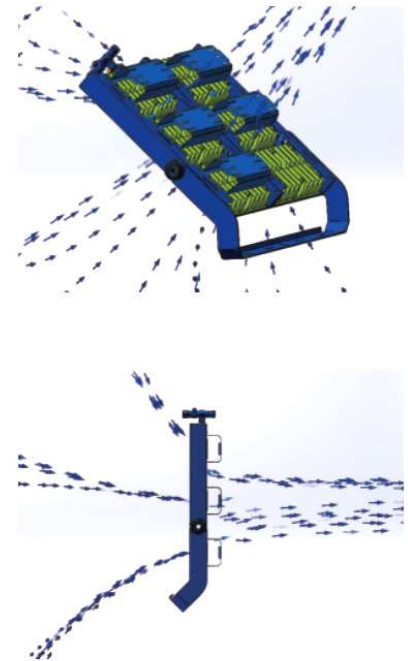
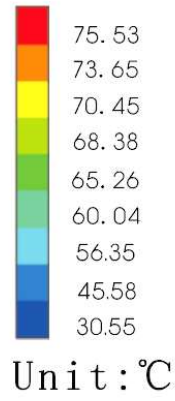
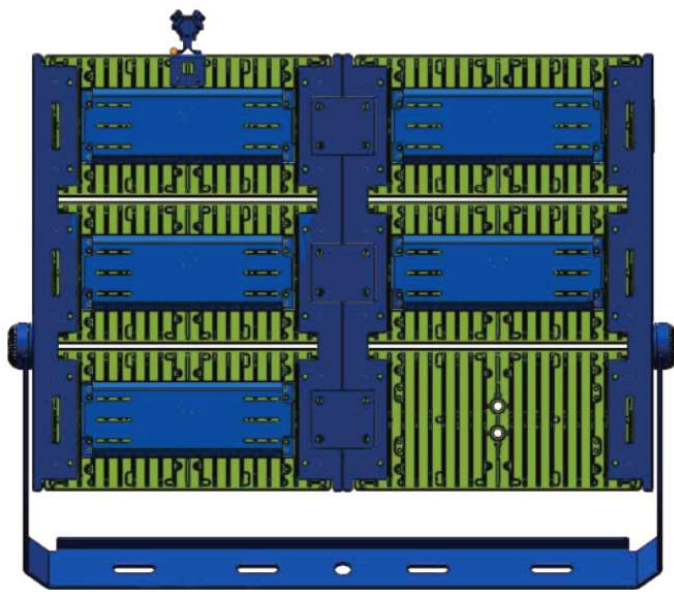




# Thermal management

## THERMAL MANAGEMENT

Structure is optimized by advanced FEA technology.  
Achieving longer lifespan at best cost-efficiency.



## Breathing valve Optional:



- Waterproof
- Air circulation
- Pressure balance

## LED Driver brand optional:

- Mosun Factory own brand
- Meanwell
- Philips
- Inventronics

**TURE FULL**



**INVENTRONICS**  
DRIVING THE LIGHTING REVOLUTION

## Surge protection Optional:

- SPD 10KV
- SPD 20KV



## Features

- ◆ Suitable for use in luminaire with Class I or Class II installations
- ◆ Protection mode : L-N, L-PE, N-PE
- ◆ Built-in thermal detachment function, higher security
- ◆ Parallel wiring, easy maintenance
- ◆ Excellent impact resistance, low voltage limit
- ◆ Built-in LED indication, saves maintenance time by identifying replacement need
- ◆ IP67-Dust-tight and water resistant

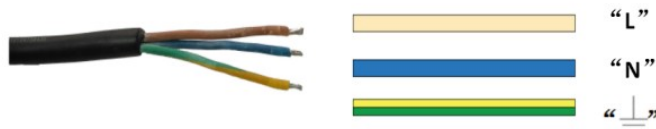


## Package

Item	MS-MLTU250W-XB01	MS-MLTU500W-XB02	MS-MLTU750W-XB03	MS-MLTU1000W-XB04	MS-MLTU1250W-XB05	MS-MLTU1500W-XB06	MS-MLTU2000W-XB07
Package Qty	1 PC	1 PC	1 PC	1 PC	1 PC	1 PC	1 PC
GW	7.9 KGS	16.7 KGS	22.1 KGS	29.8 KGS	36.5 KGS	46.5 KGS	56.9KGS
Cartons (mm)	450*350*220MM	550*510*220MM	740*510*220MM	920*510*220MM	1120*510*220MM	940*740*220MM	950*940*220MM

## Attention:

- 1) Be sure disconnect power before installing, don't construction with electricity.
- 2) Product working voltage is AC100~277V,50/60Hz, Please do not exceed the working voltage range.
- 3) Input product line, brown is **L**, blue is **N**, yellow-green is **GND**.
- 4) Be sure wiring is closed and prevent leakage, when installing.
- 5) The lamp can not be used in violation of any fire regulations.



## Installation methods

Floor Installation



Ceiling Installation



Wall Mounted Installation



Pole/High Mast Installation



## Mosun Warranty Policy

All products are under 5-year warranty since the date of luminaires were deliver to you.

1. Under warranty terms,if products are broken down under normal usage within warranty period,Mosun company will provide new lamp for instead of or provide FREE Maintenance service base on the proof-documents and invoice (copy) of the failed products.
2. Mosun company will not provide paid maintenance service under following conditions even within warranty period.
  - a )Failure or damage caused by force majeure.
  - b) Failure or damage caused by transportation or unloading
  - c) Failure or damage caused by incorrectly usage or fail to comply with the manual and caution
  - d) Failure or damage caused by demolition, repair or alternation without our authorization.
3. Mosun company always reserves the right for final explanation of aforesaid terms