

B Series Petrol Filling Station Lights



Features.:

- High-quality die-casting aluminum #ADC12 housing, with integrated shell, high hardness, not easy to break, good heat dissipation, greatly improving service life.
- The lamp body is completely sealed and suitable work in thunder and rain.
- High-quality high-brightness LED light source, high luminous efficiency, high color rendering, no radiation pollution, long service life.
- No EMI, low harmonic distortion (THD), through the CE, ROSS, FCC, SAA, RCM certification requirements.
- Working under the ambient temperature -30° to 55°
- Ease of maintenance. Tool-less opening of gear compartment & gear tray replacement

Overview



- LED Source: Lumileds 3030 LED
- Input Vol: AC100-277V,50/60hz
- CRI: $\geq 70/80Ra$
- IP Rate: IP66
- Body: Surface anti-corrosive treatment



Optical Lens:

High transmittance PC lens.



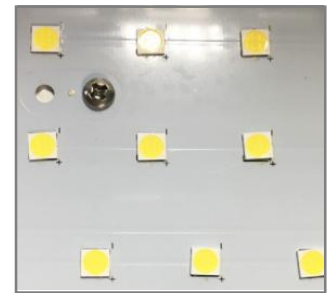
lamp body:

Thickened aluminium radiator for good heat dissipation.



Installation:

Options for open or concealed installation.

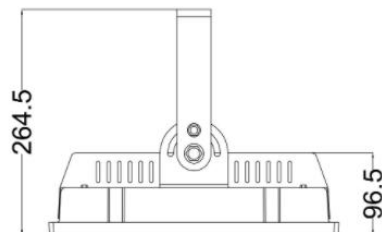
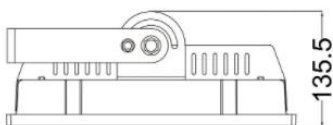
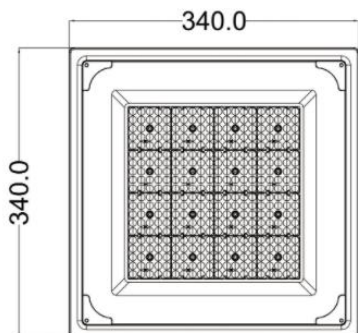


Lamp Bead Chip:

Lumileds 3030 LED.

Model	Housing Dimensions(mm)	Housing Net weight	Hole Size(mm)
MS-YZD50W-B01	340*340*96.5	6.1KGS	330*330
MS-YZD100W-B02	340*340*96.5	6.2KGS	330*330
MS-YZD150W-B03	340*340*96.5	6.4KGS	330*330
MS-YZD200W-B04	340*340*96.5	6.4KGS	330*330

Production dimensions



Products Characteristics-1

Model:	MS-YZD50W-B01	MS-YZD100W-B02	MS-YZD150W-B03	MS-YZD200W-B04
Wattage:	50W/60W	80W/100W/120W	150W/180W	200W
Led Source:	Lumileds-3030LED	Lumileds-3030LED	Lumileds-3030LED	Lumileds-3030LED
Led Qty:	256 PCS	256 PCS	256 PCS	256 PCS
Working voltage:	AC100-277V	AC100-277V	AC100-277V	AC100-277V
Driver brand options	Meanwell/Philips/ Inventronics /Sosen/Mosun	Meanwell/Philips/ Inventronics /Sosen/Mosun	Meanwell/Philips/ Inventronics /Sosen/Mosun	Meanwell/Philips/ Inventronics /Sosen/Mosun
Optical lens options	30/60/90° /140*80°	30/60/90° /140*80°	30/60/90° /140*80°	30/60/90° /140*80°
Lumen efficiency:	130lm/w	130lm/w	130lm/w	130lm/w
Luminous	6500lm	13000LM	19500LM	26000LM
Power Factor:	>0.95	>0.95	>0.95	>0.95
Correlated Color Temperature:	3000K-6500K	3000K-6500K	3000K-6500K	3000K-6500K
Color rendering index:	≥70Ra	≥70Ra	≥70Ra	≥70Ra
SDCM	<5	<5	<5	<5
IP Rating:	IP66	IP66	IP66	IP66
Housing Finish:	Polyester powder coating	Polyester powder coating	Polyester powder coating	Polyester powder coating
Standard colour(s)	white colour	white colour	white colour	white colour
Materials	Aluminum Alloy+Tempered glass+Polycarbonate	Aluminum Alloy+Tempered glass+Polycarbonate	Aluminum Alloy+Tempered glass+Polycarbonate	Aluminum Alloy+Tempered glass+Polycarbonate
Certificates	CE/RoHS	CE/RoHS	CE/RoHS	CE/RoHS
Warranty	5 years	5 years	5 years	5 years

Products Electrical Parameters

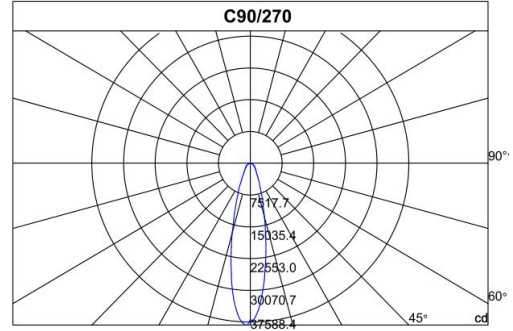
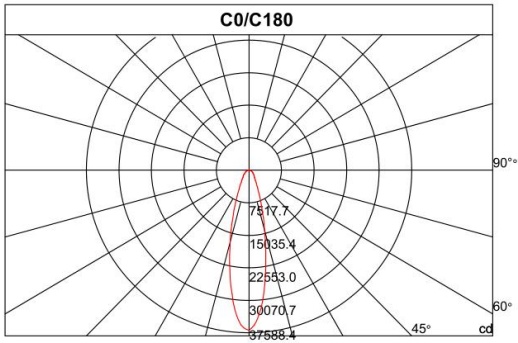
				Nominal flux (lm) (*)	Power consumption (W)	Nominal efficacy (lm/W)	Luminaire output flu(lm)	Luminaire efficacy (lm/W)	Photometry
Lamp	3030 LEDs	Current (mA)	Line Current (A)	(A) Typical	Typical	Typical	Typical	Typical	KingBrite T3
SMALL	256	0.93	0.22	7550	50W	151	6800	136	KingBrite T3
	256	1.87	0.44	14800	100W	148	13400	134	
	256	2.81	0.66	22500	150W	150	20250	135	
	256	3.75	0.89	29400	200W	147	26600	133	

Tolerance on LED flux is $\pm 7\%$ and on total luminaire power $\pm 5\%$

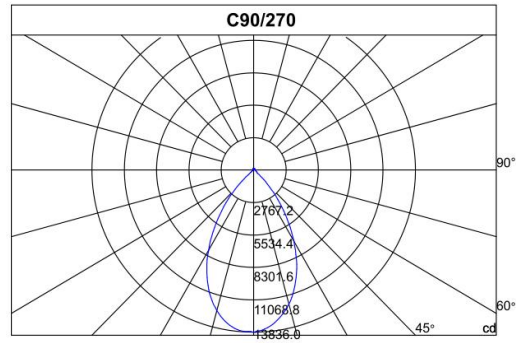
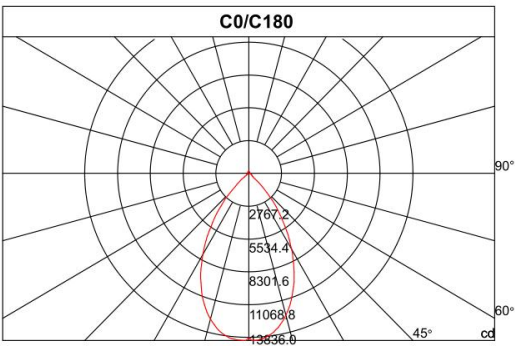
(*) The nominal flux is an indicative LED flux @ Ts 85° C based on LED manufacturer's data. The real flux output of the luminaire depends on environmental conditions (e.g. temperature and pollution) and the optical efficiency of luminaire. The type of LED used is subject to change due to the ongoing rapid progress taking place in LED technology

Photometric Distribution

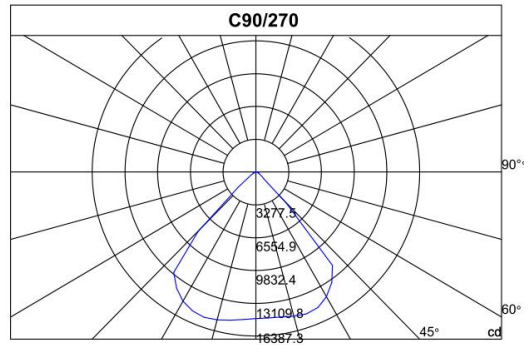
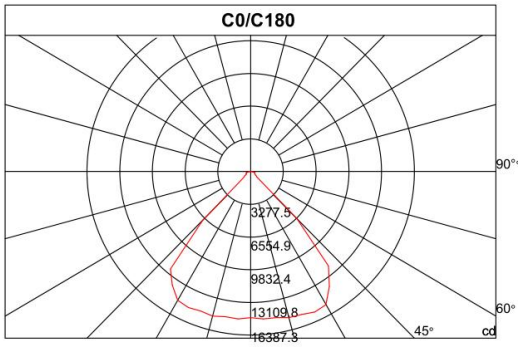
30°



60°



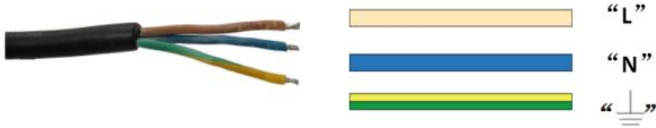
90°



Installation Instructions

Attention:

- 1) Be sure disconnect power before installing, don't construction with electricity.
- 2) Product working voltage is AC100~277V,50/60Hz, Please do not exceed the working voltage range.
- 3) Input product line, brown is **L**, blue is **N**, yellow-green is **GND**.
- 4) Be sure wiring is closed and prevent leakage, when installing.
- 5) The lamp can not be used in violation of any fire regulations.





Mosun Warranty Policy

All products are under 5-year warranty since the date of luminaires were delivered to you.

1. Under warranty terms, if products are broken down under normal usage within warranty period, Mosun company will provide new lamp for instead of or provide FREE Maintenance service based on the proof-documents and invoice (copy) of the failed products.
2. Mosun company will not provide paid maintenance service under following conditions even within warranty period.
 - a) Failure or damage caused by force majeure.
 - b) Failure or damage caused by transportation or unloading
 - c) Failure or damage caused by incorrect usage or fail to comply with the manual and caution
 - d) Failure or damage caused by demolition, repair or alternation without our authorization.
3. Mosun company always reserves the right for final explanation of aforesaid terms

Package

Item	MS-YZD50W-B01	MS-YZD50W-B01	MS-YZD50W-B01	MS-YZD50W-B01
Package Qty	1 PCS	1 PCS	1 PCS	1 PCS
GW	6.9 KG	7 KG	7.6 KG	7.6 KG
Cartons(mm)	470*470*140MM	470*470*140MM	470*470*140MM	470*470*140MM



Application scenario

